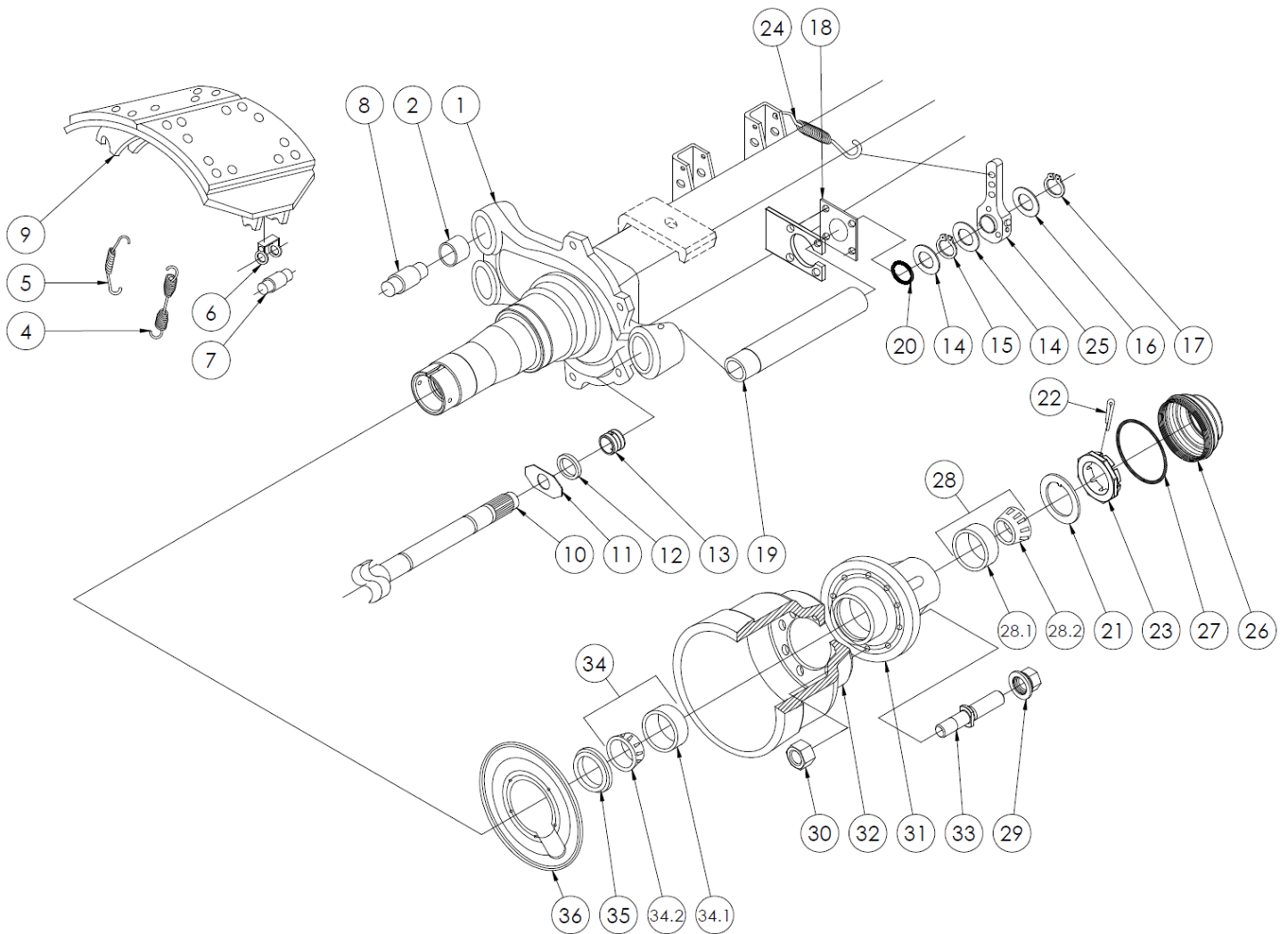


# PARTS VIEW

## KF75 DRUM BRAKE 150□ HD AXLE



**IMAGES FOR ILLUSTRATION PURPOSES ONLY**



# PARTS VIEW

Ref No.	PART No.	DESCRIPTION	APPLICATION	
			QTY. PER AXLE	KF75
1	FB24XE-0100	AXLE BEAM	1	X
2	B12-0101	BUSH ANCHOR PIN	4	X
4	D12-0101	SPRING, ANCHOR PIN	4	X
5	D13-0101	RETURN SPRING	2	X
6	D22-0101	ROLLER RETAINER	4	X
7	D21-0101	ROLLER	4	X
8	D11-0101	ANCHOR PIN	4	X
9	D20-010201	BRAKE SHOE ASSEMBLY	4	X
10	C11-0101C-543LH	S-CAMSHAFT – LH	1	X
10	C11-0101C-543RH	S-CAMSHAFT – RH	1	X
10	C11-0101C-613LH	S-CAMSHAFT – LH – (Old Style)	1	X
10	C11-0101C-613RH	S-CAMSHAFT – RH – (Old Style)	1	X
11	C12-0101	THRUST WASHER	2	X
12	C14-0301	SEAL, CAMSHAFT OUTER	2	X
12	KH800161	SEAL, CAMSHAFT OUTER – (Old Style)	2	
13	C13-0301	CAMSHAFT BUSH (SPIDER)	2	X
13	C13-0101	CAMSHAFT BUSH (SPIDER) – (Old Style)	2	
14	C15-0101	WASHER	4	X
15	C16-0401	SNAP RING	2	X
16	C15-0102	WASHER	2	X
17	C16-0101	SNAP RING	2	X
18	C33-0101	MOUNTING PLATE S-CAM TUBE	2	X
19	C30-0102-543	CAM TUBE (543 camshaft)	2	X
19	C30-0102-613	CAM TUBE (613 camshaft) – (Old Style)	2	X
20	C24-0101	O-RING	2	X
21	A11-0101	WASHER	2	X
22	A13-0101	COTTER PIN	2	X
23	A12-0101	NUT	2	X
24	A20-0101	SPRING, SLACK ADJUSTER	2	X
25	61137370EF (A19-0307)	SLACK ADJUSTER	2	X
26	KH800205B	HUB CAP	2	X
27	H15-0201	O-RING	2	X
28	H12-0100	BEARING ASSEMBLY OUTER	2	X
29	KH800096 (H34-0301)	NUT, WHEEL – (M22x1.5 – 32mm) Axle BOM until June 2019	20	X
29	H34-0401	NUT, WHEEL – (M24x1.5 – 34mm) Axle BOM after June 2019	20	X
30	H40-0101	NUT, STUD	20	X
31	KH800229	HUB – 10 x 335	2	X
32	H32-2304	DRUM	2	X
NS	KH3601-2106	HUB & DRUM ASSEMBLY c/w SHORT STUDS	-	OPTION
33	H33-2301	STUD (M22x1.5 – 125mm) Axle BOM until June 2019	20	X
33	H33-2302	STUD (M22x1.5 – 152mm)	20	OPTION
33	H33-2401	STUD (M24x1.5 – 140mm) Axle BOM after June 2019	20	X
34	H12-0200	BEARING ASSEMBLY INNER	2	X
35	H11-0300	SEAL, OIL	2	X
36	H18-0104	DUST SHIELD	2	X

Note: 34.1 & 34.2 and 28.1 & 28.2 should only be replaced as a set.