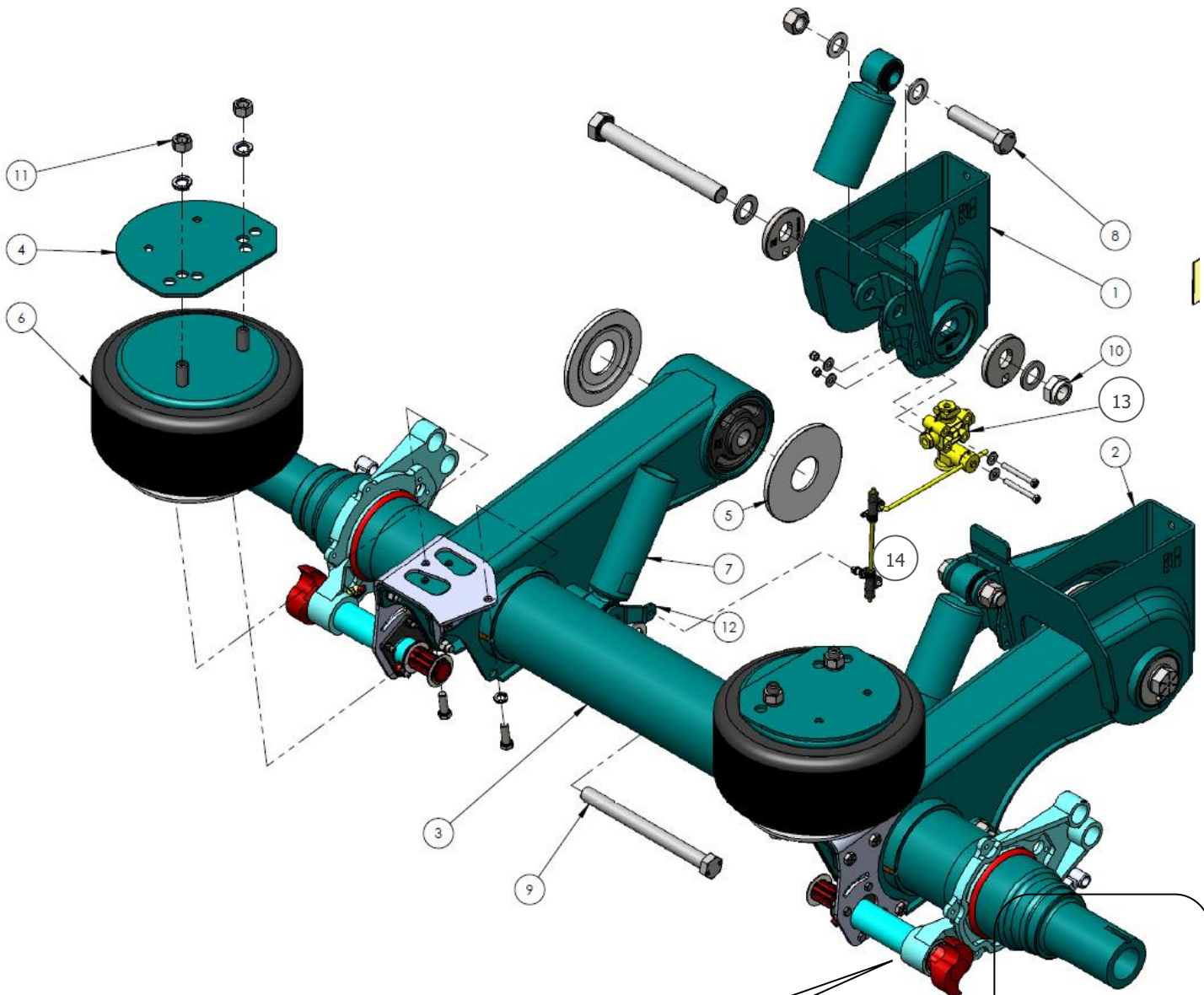


AXLE & AIR SUSPENSION MODULE KI S232T

OVERSLUNG - DRUM BRAKE



ConMet
 wheel end
 parts: page 2

S-Cam Parts: page 3
 Brake Components: page 4

PARTS VIEW

Ref No.	PART No.	DESCRIPTION	APPLICATION	
			QTY PER MODULE	KI S232T
1	SEE HANGER CHART	HANGER LH	1	SEE HANGER CHART (page 4)
2		HANGER RH	1	
3	N100818-003	BEAM ARM ASSEMBLY	1	X
NS	N100508-002	PIVOT BUSH (wide) – TRAILING ARM	2	X
4	N100516-012	PLATE, UPPE- AIRBAG	2	X
5	N100511-001	WEAR PAD	4	X
6	N100521-017	AIRSPRING	2	X
7	N100550-004	SHOCK ABSORBER (NON RFS)	2	X
8	N100518-001	BOLT KIT (SHOCKER – HANGER)	2	X
9	N100518-006	BOLT KIT (SHOCKER – TRAILING ARM)	2	X
10	N100519-001	BOLT KIT (PIVOT, HANGER-TRAILING ARM)	2	X
11	N100547-007	NUT KIT (AIRSPRING – UPPER PLATE)	2	X
12	N100515-004	HCV BRACKET	1	X
13	N100530-001	HEIGHT CONTROL VALVE	1	X
14	N100534-001	HCV MOUNTING KIT	1	X

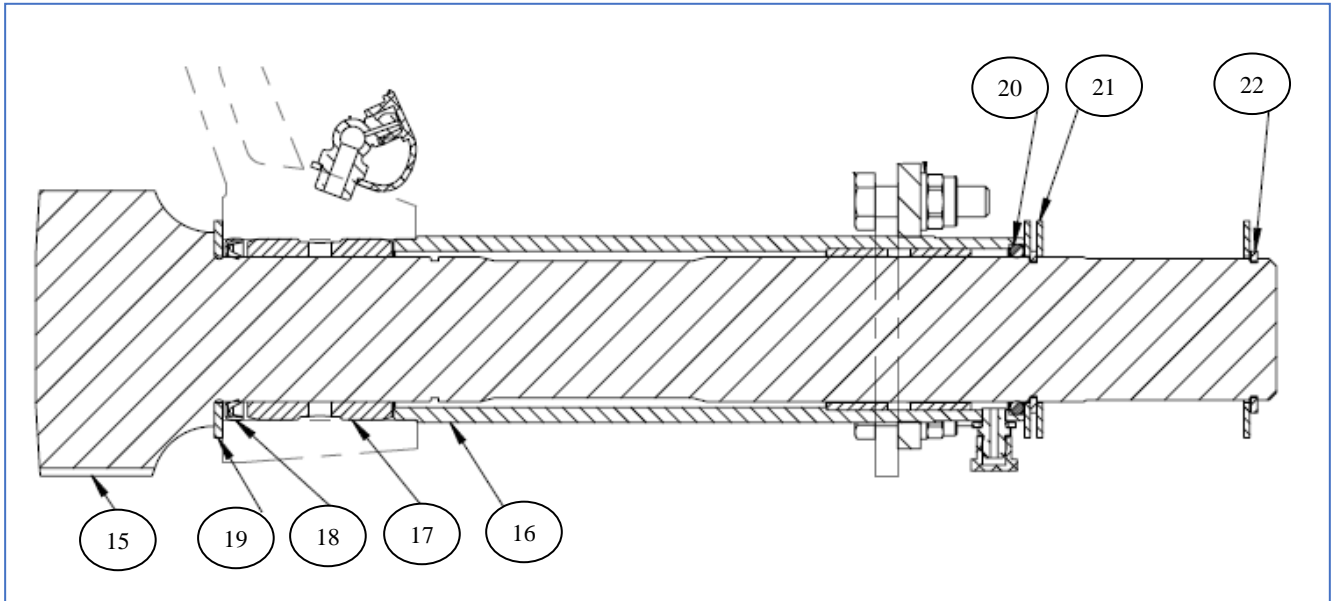
ConMet WHEELEND (pre-set)

PART No.	DESCRIPTION	APPLICATION	
		QTY PER MODULE	TP ConMet PLUS
10041701	ALUMINIUM HUB c/w LONG STUDS & BEARINGS & SPACER & SEAL	(2)	(X)
10045398	IRON HUB c/w LONG STUDS & BEARINGS & SPACER & SEAL	(2)	(X)
10036553	NUT KIT	2	X
10085634	HUB CAP	2	X
10081731	BEARING KIT c/w SPACER & SEAL	2	X

Synthetic Semi Fluid Grease
Part number: 133680-1L



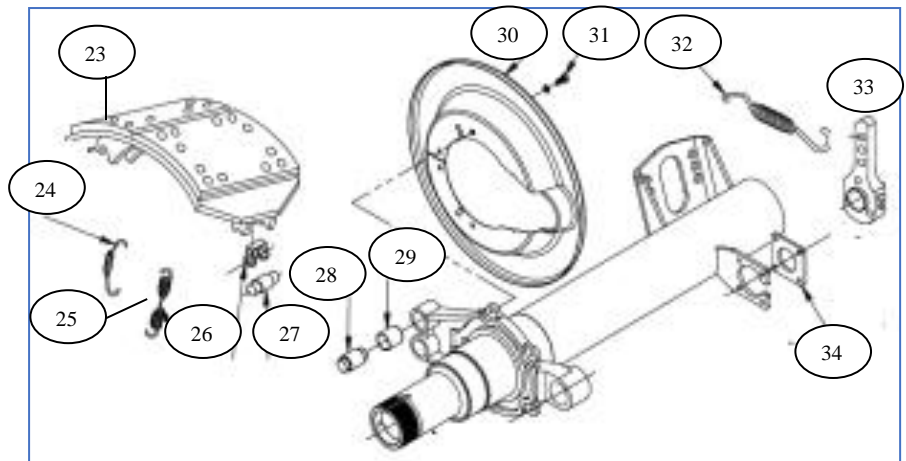
S-CAM ASSEMBLY



Ref No.	PART No.	DESCRIPTION	APPLICATION	
			QTY PER MODULE	
				KI S232T
				Short Cam
15	C11-0200-LH	CAMSHAFT-LH (280mm) 10sp	1	X
15	C11-0200-RH	CAMSHAFT-RH (280mm) 10sp	1	X
16	C30-0201	CAMTUBE ASSY	2	X
17	C13-0201	BUSH	2	X
18	C14-0201	SEAL	2	X
19	C15-0106	WASHER SPIDER	2	X
20	C24-0401	O-RING	2	X
21	C15-0102	WASHER	6	X
22	C16-0501	CIRCLIP	4	X

PARTS VIEW

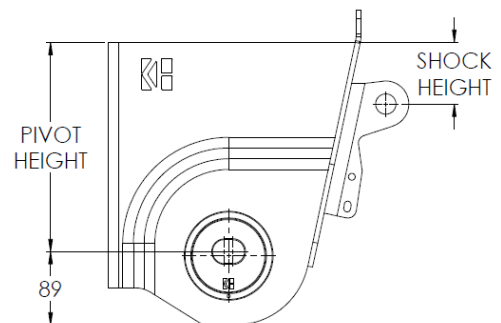
BRAKE COMPONENTS



Ref No.	PART No.	DESCRIPTION	APPLICATION	
			QTY PER MODULE	KI S232T
23	D20-020101	SHOE SET (2)	2	X
24	NSS*	ANCHOR SPRING	2	X
25	NSS*	RETURN SPRING	2	X
26	NSS*	ROLLER RETAINER	4	X
27	NSS*	ROLLER	4	X
28	NSS*	ANCHOR PIN	4	X
29	NSS*	ANCHOR PIN BUSH	4	X
30	H18-0101	DUST COVER	2	X
31	KH800055	SPRING WASHER	12	X
32	A20-0101	RETURN SPRING	2	X
33	278323EF	MANUAL SLACK ADJUSTER	2	X
34	C33-0201	CAMSHAFT MTG PLATE	2	X
NS	D20-020101K	*BRAKE SHOE KIT (1 wheel)	2	X

*These parts are in the brake shoe kit.

HANGER CHART



Ref No.	PART No.	ORIENTATION	RIDE HEIGHT in mm	PIVOT HEIGHT in mm	SHOCK HEIGHT in mm	KI S232T
1	N100501-003	LH	305-343	203	42	X
2	N100501-004	RH	305-343	203	42	X

NS: Not shown
NSS: Not sold separately