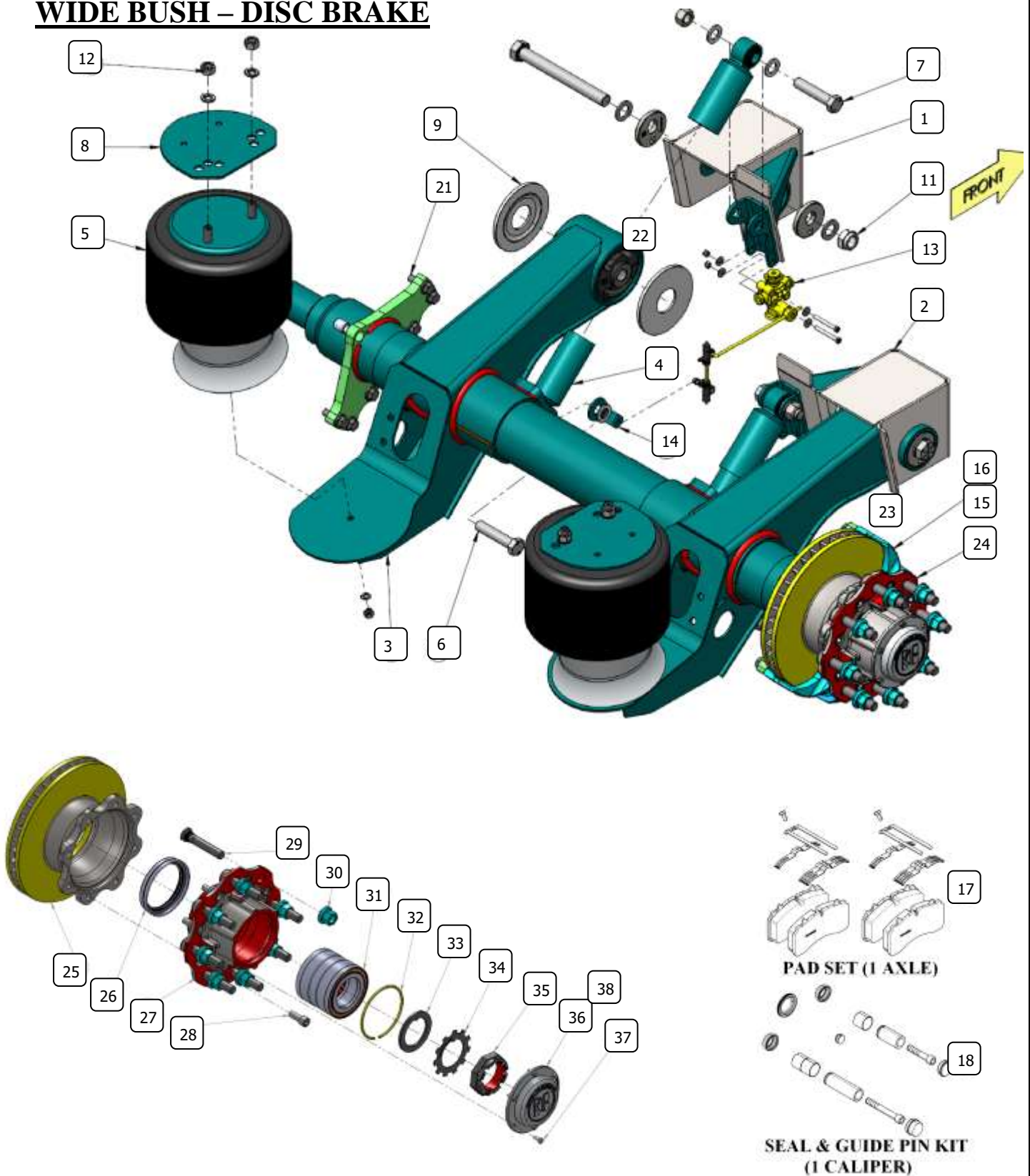


AXLE & AIR SUSPENSION MODULE KI S232U

WIDE BUSH – DISC BRAKE



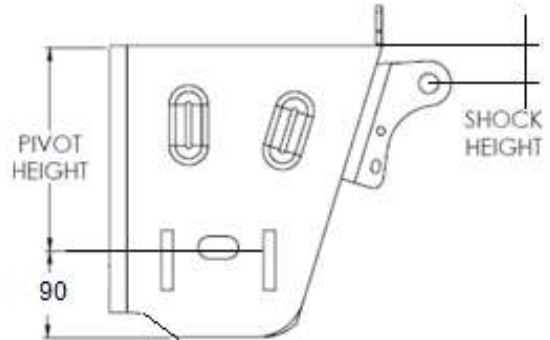
PARTS VIEW

Ref No.	PART No.	DESCRIPTION	APPLICATION	
			QTY PER MODULE	KI S232U 8x275 hub Pan 19 disc rotor 9t Unitised bearing
1	SEE HANGER CHART	HANGER LH	1	SEE HANGER CHART
2		HANGER RH	1	
3	N100813-001-NZ	BEAM ARM ASSEMBLY	1	X
4	N100550-003	SHOCK ABSORBER NON RFS	2	X
5	N100521-025	AIRSPRING	2	X
6	N100518-006	VERTICAL SHOCK ABSORBER HARDWARE PACK (LOWER)	2	X
7	N100518-001	VERTICAL SHOCK ABSORBER HARDWARE PACK (UPPER)	2	X
8	N100516-012	PLATE, UPPER - AIRBAG	2	X
8	N100517-033	RESTRICTED JOUNCE PLATE UPPER - AIRBAG	(2)	(X)
9	N100511-001	WEAR PAD - HANGER	4	X
10	-	-	-	-
11	N100519-001	PIVOT BOLT KIT – SELF ALIGNING – 7/8”	2	X
12	N100547-001	AIRBAG FASTENER KIT / KI / OS	2	X
13	N100534-001	HCV MOUNTING KIT	1	X
14	N100515-004	HCV BRACKET CONNECTION	1	X
15	6401951090	WABCO CALIPER LH	1	X
16	6401951100	WABCO CALIPER RH	1	X
17	12999737	PAD SET	1	X
18	12999776	CALIPER SEAL/GUIDE PIN KIT	2	X
19	-	-	-	-
20	-	-	-	-
21	B30-0102	FLANGE BOLT	12	X
22	N100508-002	PIVOT BUSH (wide)	2	X
23		BOOSTER (as required)	2	X
24	H31-0503DBA	HUB-DISC ASSEMBLY	2	X
25	BC8439	ROROR PAN19	2	X
26	KH47690	SEAL	2	X
27	H31-0503DB	HUB 8x275	2	X
28	KHDB014	BOLT	16	X
29	H33-0307	WHEEL STUD	16	X
30	KH800096	WHEEL NUT	16	X
31	BTH-0055	BEARING 9t	2	X
32	N300005-001	SNAP RING	2	X
33	N300003-001	WASHER	2	X
34	N300002-001	LOCK TAB WASHER	2	X
35	N300004-001	SPINDLE NUT	2	X
36	N300016-001	HUB CAP (c/w O-ring)	2	X
37	KH800122	BOLT	12	X
38	N300015-001	O-RING	2	X
NS	A15-0101	ABS SENSOR	2	X
NS	APABS020	ABS CLIP	2	X

PARTS VIEW

Ref No.	PART No.	PARTS KITS	QPM	ITEMS INCLUDED IN THE KIT
NS	AXKIT-06	BEARING KIT	2	26,31,32,33,34,35,38
NS	AXKIT-07	AXLE NUT KIT	2	33,34,35

HANGER CHART



Ref No.	PART No.	ORIENTATION	RIDE HEIGHT in mm	PIVOT HEIGHT in mm	SHOCK HEIGHT in mm	KI S232U
1	N100595-503	LH	230	114	57	X
2	N100595-504	RH	230	114	57	X