

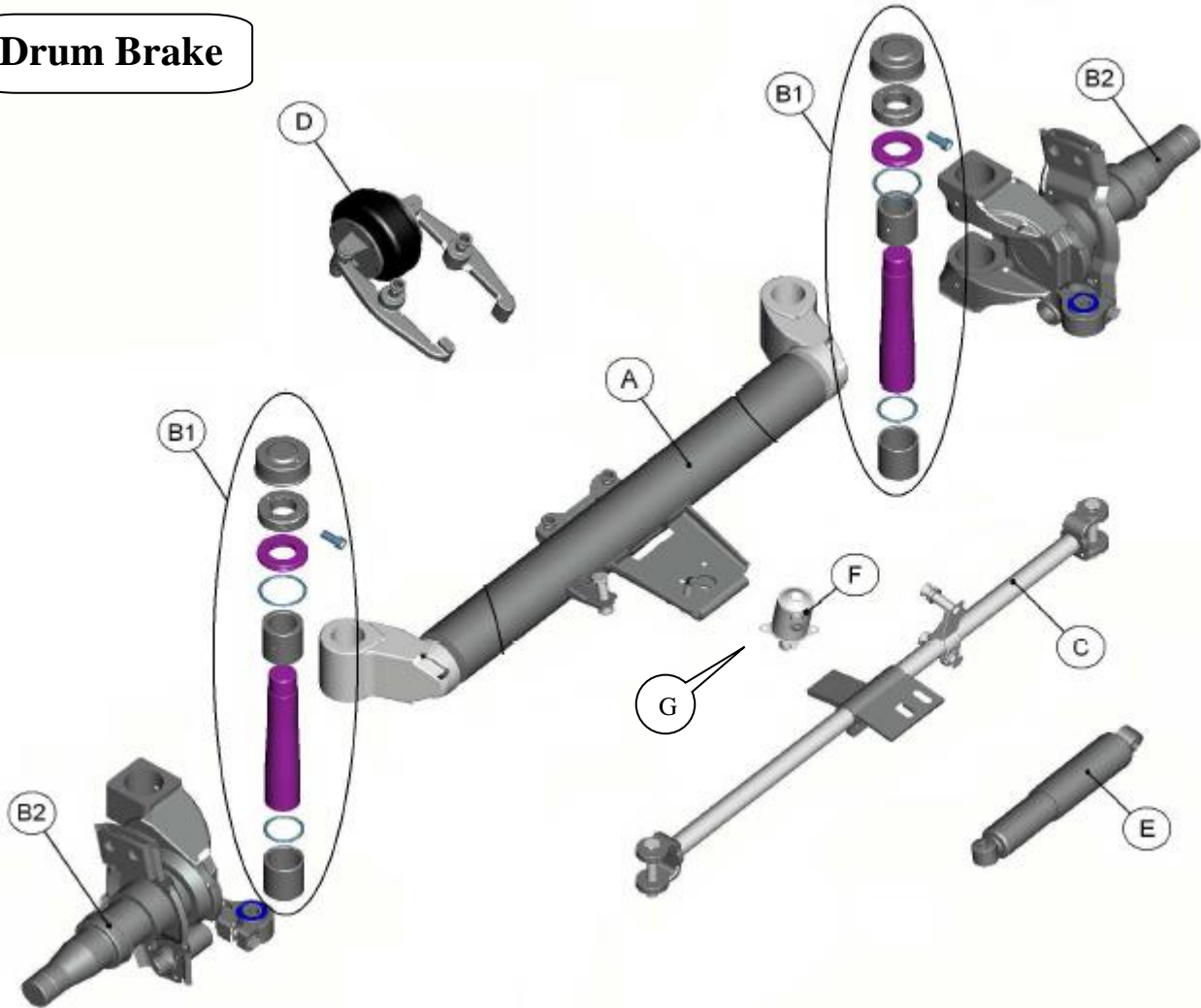


# PARTS VIEW

KHITCH

## KSS1 SELF STEER TN AXLE

### Drum Brake



### MAIN AXLE PARTS DRUM BRAKE

			N100912-001	Qty/AXLE
Ref No.	PART NUMBER	DESCRIPTION		
A	GF001010494A	AXLE BEAM 10t – 1150mm centres	X	1
B1	GF006010012A	KING PIN SET – LH & RH	X	1
B2	GF002010491A	KNUCKLE – LH ONLY	X	1
B2	GF002010490A	KNUCKLE – RH ONLY	X	1
C	GF004010165A	TRACK ROD 10t – 1150mm centres	X	1
D	GF003010037A	TORPESS – COMPLETE	X	1
E	B0101000401A	SHOCK ABSORBER	X	1
F	B1303001300A	LOCKING CYLINDER – Ø25mm PIN	X	1
G	B2102002500A	SOLENOID (On request only)	-	1

For Product Support call: (03) 9369 0000 | (07) 3372 2223 | (08) 9350 6470

[www.khitch.com.au](http://www.khitch.com.au)

Uncontrolled document when printed!

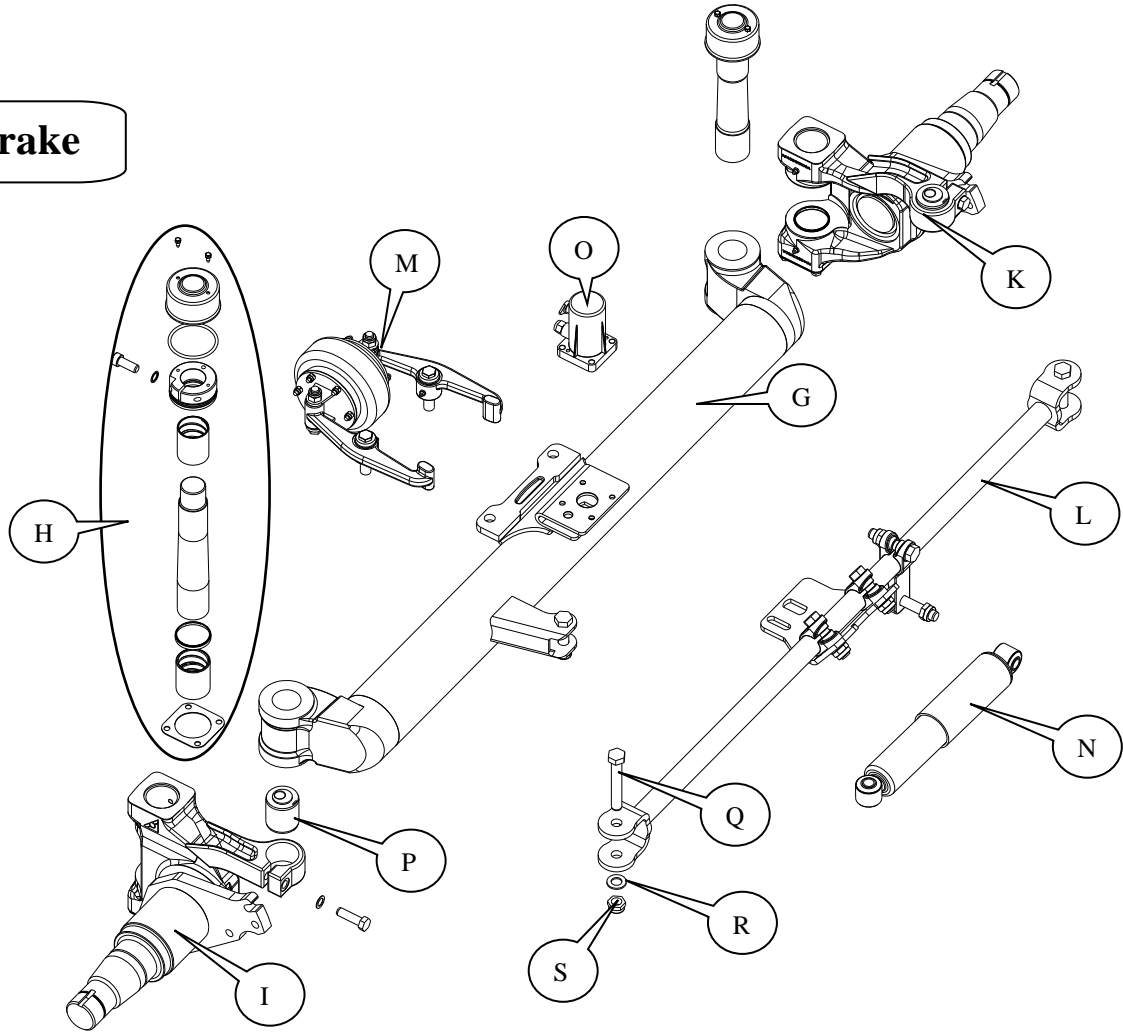
Bulletin No: KPS-001-0513 Rev9



KHITCH

# PARTS VIEW

## Disc Brake



### MAIN AXLE PARTS DISC BRAKE

			N100902-017	Qty/AXLE
Ref No.	PART NUMBER	DESCRIPTION		
G	GF001010601A	AXLE BEAM 10t	X	1
H	GF006010012A	KING PIN SET - LH & RH	X	1
I	GF002010718A	KNUCKLE - LH ONLY	X	1
K	GF002010717A	KNUCKLE - RH ONLY	X	1
L	GF004010318A	TRACK ROD 10t - 1150mm centres	X	1
M	GF003010037A	TORPESS - COMPLETE	X	1
N	B0101000401A	SHOCK ABSORBER	X	1
O	B1303001300A	LOCKING CYLINDER - Ø25mm PIN	X	1
P	B1605000900A	ECCENTRIC BUSH	X	2
Q	B0710001100A	KNURLED BOLT M20	X	2
R	B0703000100A	WASHER	X	2
S	B0702200H23A	NUT	X	2

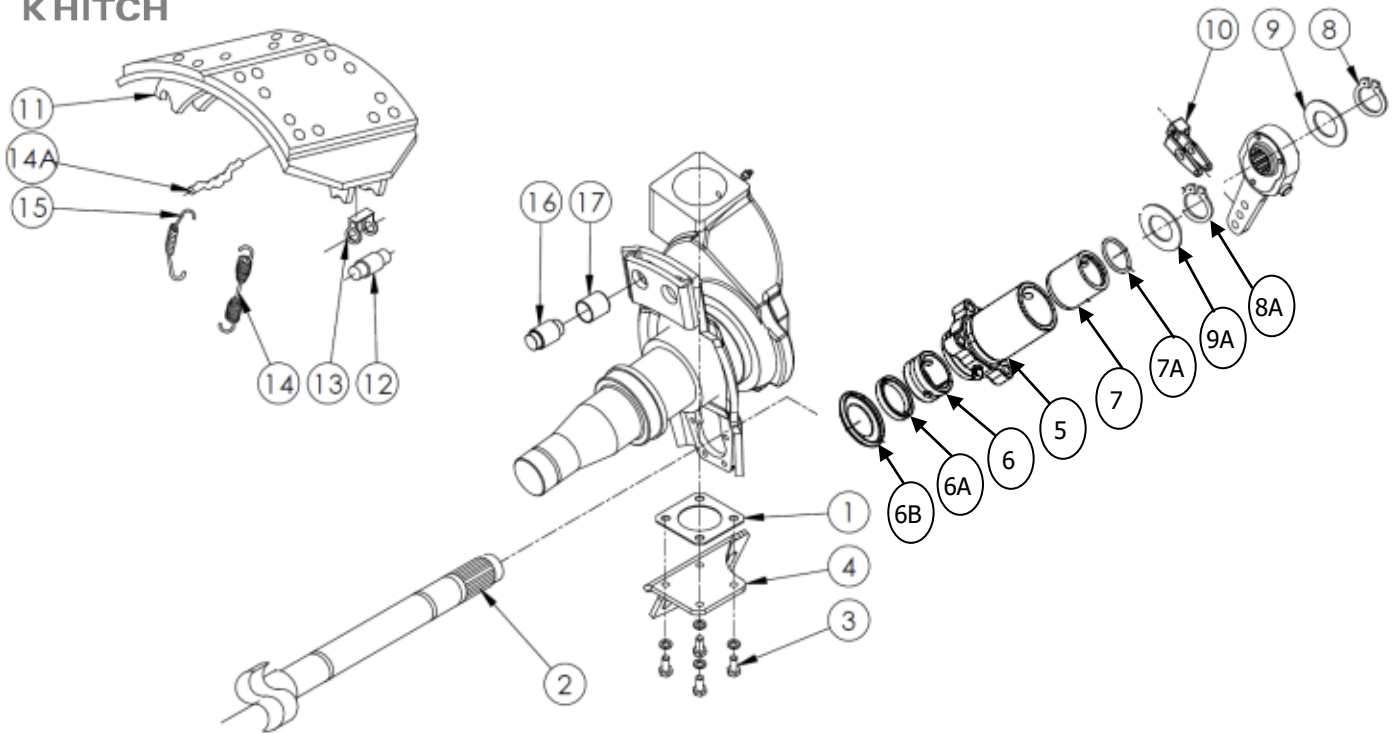
For Product Support call: (03) 9369 0000 | (07) 3372 2223 | (08) 9350 6470

[www.khitch.com.au](http://www.khitch.com.au) Uncontrolled document when printed! Bulletin No: KPS-001-0513 Rev9 2



**KHITCH**

# PARTS VIEW



## BRAKE AND KNUCKLE COMPONENTS DRUM BRAKE

Ref No.	PART NUMBER	DESCRIPTION	Qty / Axle
1	N0902000100A	GASKET	2
2	21227113N	S-CAM – RH <b>Axles manufactured AFTER June 2013</b>	1
2	21227114N	S-CAM – LH <b>Axles manufactured AFTER June 2013</b>	1
3	B071010X025A	BOLT – M10x1.5x25	8
4	G0104058300A	BOOSTER BRACKET – RH 24° – 85mm offset	1
4	G0104058350A	BOOSTER BRACKET – LH 24° – 85mm offset	1
5	NSS	S-CAM TUBE	2
6	21225705	BUSH (ID 42.9mm) <b>Axles manufactured BEFORE June 2013</b>	2
6	1225-N-1158	BUSH (ID 41.1mm) <b>Axles manufactured AFTER June 2013</b>	2
6A	A-1205-S-2645	LIP SEAL <b>Axles manufactured AFTER June 2013</b>	2
6B	1229-K-4795	WASHER SEAL <b>Axles manufactured AFTER June 2013</b>	2
7	N0503000100A	BUSH (Slack Adjuster side)	2
7A	21016721	O-RING	2
8	99507030 (C16-0601)	EXTERNAL CIRCLIP	2
8A	C16-0501 (99070006)	EXTERNAL CIRCLIP	2
9	21219862	RETAINING WASHER	2
9A	C15-0102 (21006624)	RETAINING WASHER	2
10	MC8425KTAS	OFFSET BOOSTER ROD YOKE KIT – 5/8" OFFSET	1
11	D20-020101*	BRAKE SHOE SET (2)	2
12	NSS*	ROLLER	4
13	NSS*	ROLLER RETAINER	4
14	NSS*	RETURN SPRING	2
14A	NSS*	RETAINING PIN	4
15	NSS*	ANCHOR SPRING	2
16	NSS*	ANCHOR PIN	4
17	NSS*	ANCHOR PIN BUSH	4
*	D20-020101K	BRAKE SHOE KIT (1 wheel) – CONTAINS ITEMS 11-17	2

**For Product Support call: (03) 9369 0000 | (07) 3372 2223 | (08) 9350 6470**

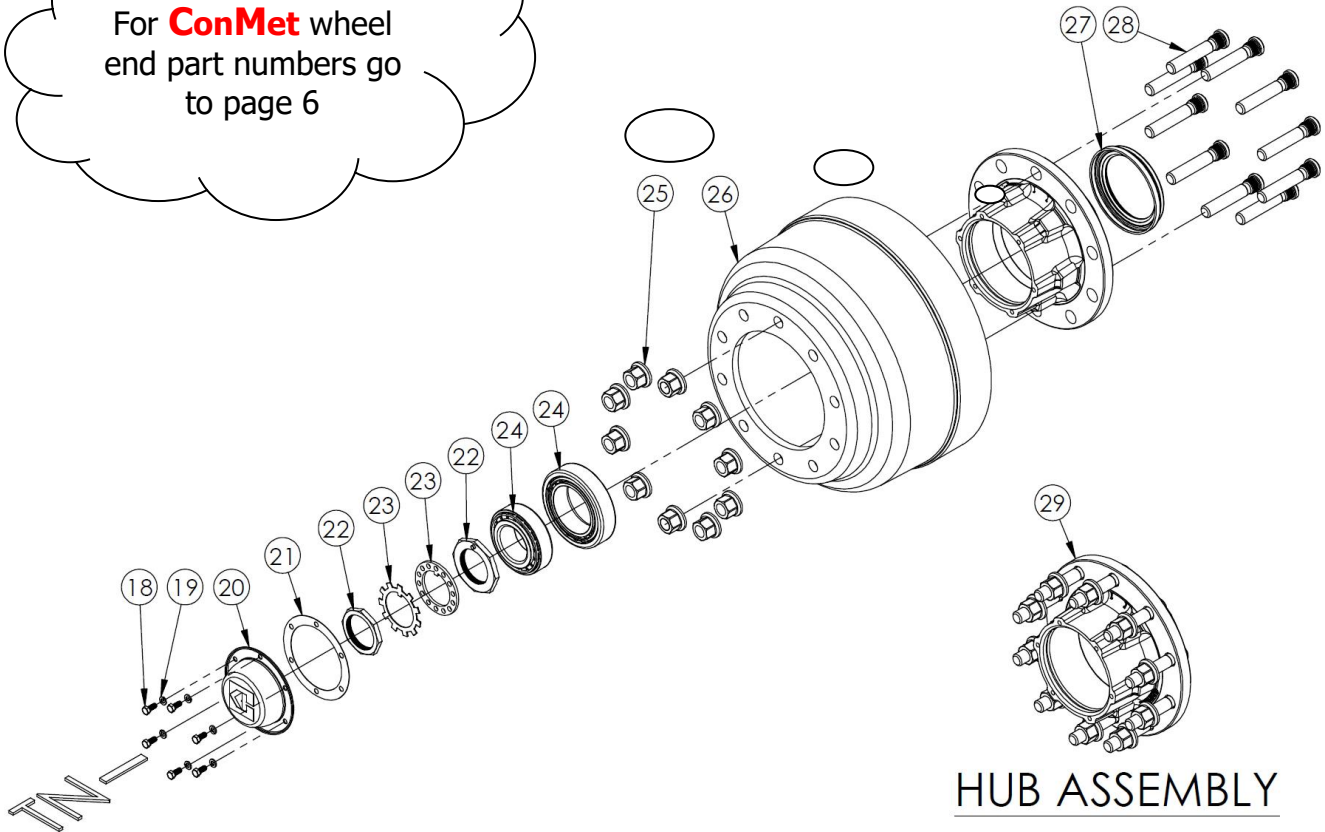
**[www.khitch.com.au](http://www.khitch.com.au)** Uncontrolled document when printed! **Bulletin No: KPS-001-0513 Rev9** 3



**KHITCH**

# PARTS VIEW

For **ConMet** wheel end part numbers go to page 6



**HUB ASSEMBLY**

## WHEEL END COMPONENTS DRUM BRAKE

Ref No.	PART NUMBER	DESCRIPTION	Qty / Axle
18	KH800122	BOLT – HUB CAP – 5/16"	12
19	KH800055	WASHER – HUB CAP BOLT	12
20	KH800110B	HUB CAP – BLACK – Ø139.7PCD	2
20	KHALU01	HUB CAP – ALUMINIUM – Ø139.7PCD	2
21	H15-0102	GASKET – HUB CAP	2
22	A24-0101	SPINDLE NUT – OUTER	2
22	A12-0201	SPINDLE NUT – INNER	2
23	A11-0201	LOCK WASHER	2
23	A25-0101	LOCK TAB WASHER	2
24	H12-0300	BEARING – INNER	2
24	H12-0400	BEARING – OUTER	2
25	KH800096	NUT – M22 x 32A/F	20
25	KH800238	NUT – M22 x 33A/F	20
26	10037763	DRUM – 10x285	2
27	373-0243	SEAL	2
28	KH800104	STUD – SHORT (M22x94)	20
28	KH800239	STUD – LONG (M22x122)	20
29	KH3601-3010	HUB ASSEMBLY – 10x285 TN – SHORT STUD	2
29	KH3601-3010Z	HUB ASSEMBLY – 10x285 TN – LONG STUD	2

Refer to Parts view Bulletin No: KPS-001-0912 for 10x335 & 5 spoke wheel end components.

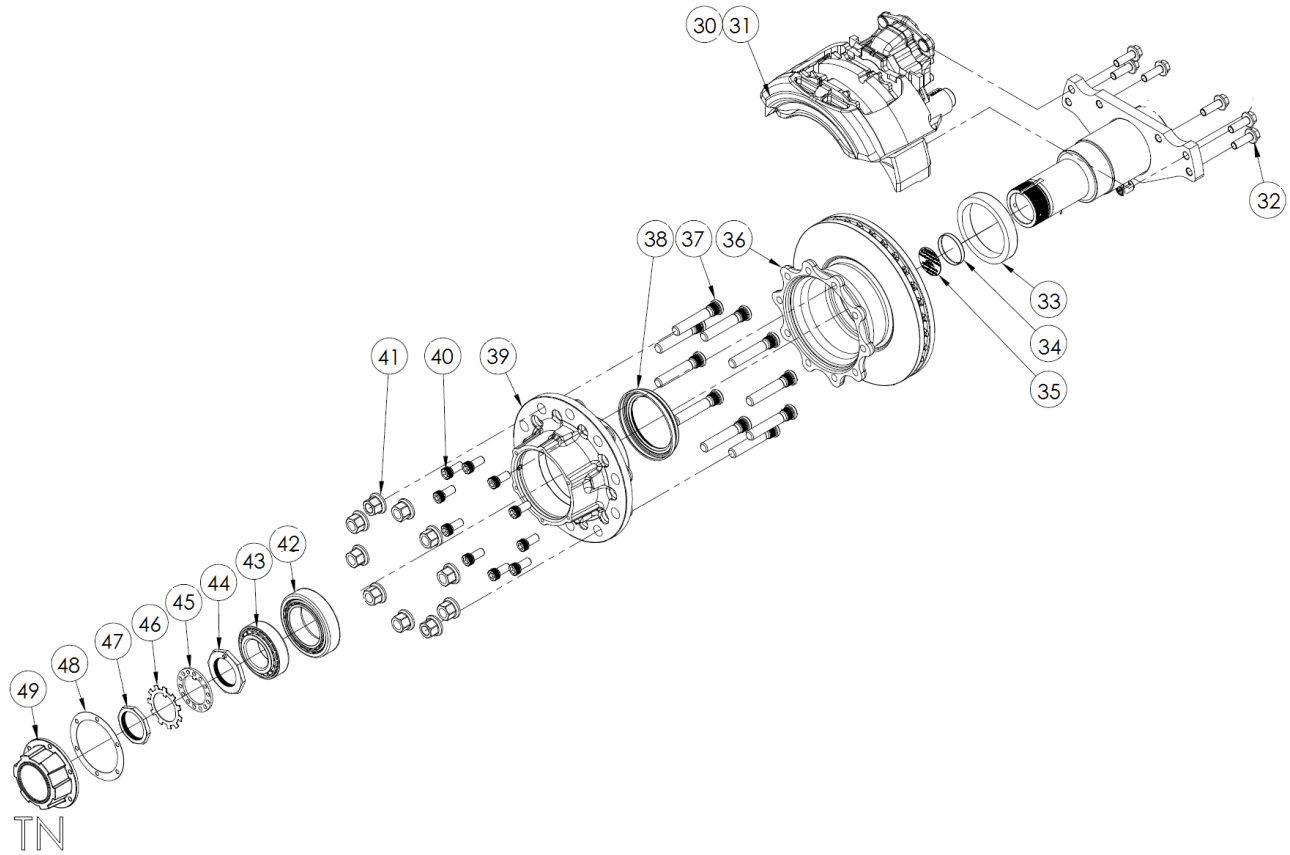
**For Product Support call: (03) 9369 0000 | (07) 3372 2223 | (08) 9350 6470**

**[www.khitch.com.au](http://www.khitch.com.au)** Uncontrolled document when printed! **Bulletin No: KPS-001-0513 Rev9** 4



KHITCH

# PARTS VIEW



## WHEEL END COMPONENTS DISC BRAKE

Ref No.	PART NUMBER	DESCRIPTION	Qty / Axle
30	6401951310	WABCO CALLIPER PAN-19 L/H	1
31	6401951320	WABCO CALLIPER PAN-19 R/H	1
32	B30-0102	BOLTS M16	12
33	N300200-002	SEAL SHIELD	2
34	NA	NA	-
35	NA	NA	-
36	BC8433	ROTOR	2
37	KH800239	STUD LONG M22x122mm	20
38	373-0243	SEAL HI TEMP TN	2
39	FW429	HUB 10x285 TN	2
40	KHDB012	BOLT CAPSCREW M14	16
41	KH800238	WHEEL NUTS 33MM	20
42	H12-0300	BEARING – INNER	2
43	H12-0400	BEARING – OUTER	2
44	A12-0201	AXLE NUT –TN INNER	2
45	A11-0201	WASHER-AXLE NUT TN	2
46	A25-0101	LOCK TAB WASHER TN	2
47	A24-0101	AXLE NUT-TN OUTER	2
48	H15-0102	GASKET HUB CAP TN	2
49	KHALU01	HUB CAP	2

For Product Support call: (03) 9369 0000 | (07) 3372 2223 | (08) 9350 6470

[www.khitch.com.au](http://www.khitch.com.au)

Uncontrolled document when printed!

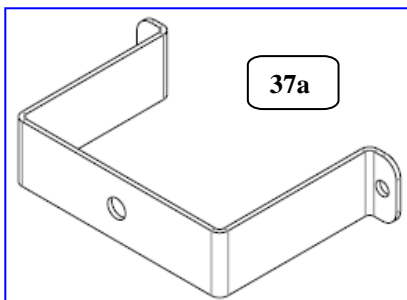
Bulletin No: KPS-001-0513 Rev9



# PARTS VIEW

KHITCH

Ref No.	PART No.	DESCRIPTION	APPLICATION		
		ConMet WHEELEND (pre-set)			
			QTY. PER AXLE	TN ConMet <b>PLUS</b>	
21	10045570	IRON HUB c/w LONG STUDS & BEARINGS & SPACER & SEAL Casting number:10033293 (used for lube volume)	2	X	
22	10037763	TRUE TURN 10x285	2	X	
23	102292	STUD LONG (M22x1.5x136mm)	20	X	
25	KH800096	NUT – M22 x 32A/F	20	X	
27	802	SEAL	2	X	
33	10036552	HUB NUT KIT	2	X	
37	10083537	HUB CAP	2	X	
37a	TBA	HUBO BRACKET	As required		
36	KH330-3009	GASKET - HUB CAP	2	X	
NS	10081730	BEARING KIT c/w SPACER & SEAL	2	X	



1 ltr of SYNTHETIC SEMI FLUID GREASE MOBILITH SHC007

Part Number: **133680-1L**

**Note:** Check service information for correct fill qty.



For Product Support call: (03) 9369 0000 | (07) 3372 2223 | (08) 9350 6470

[www.khitch.com.au](http://www.khitch.com.au) Uncontrolled document when printed! Bulletin No: KPS-001-0513 Rev9 6