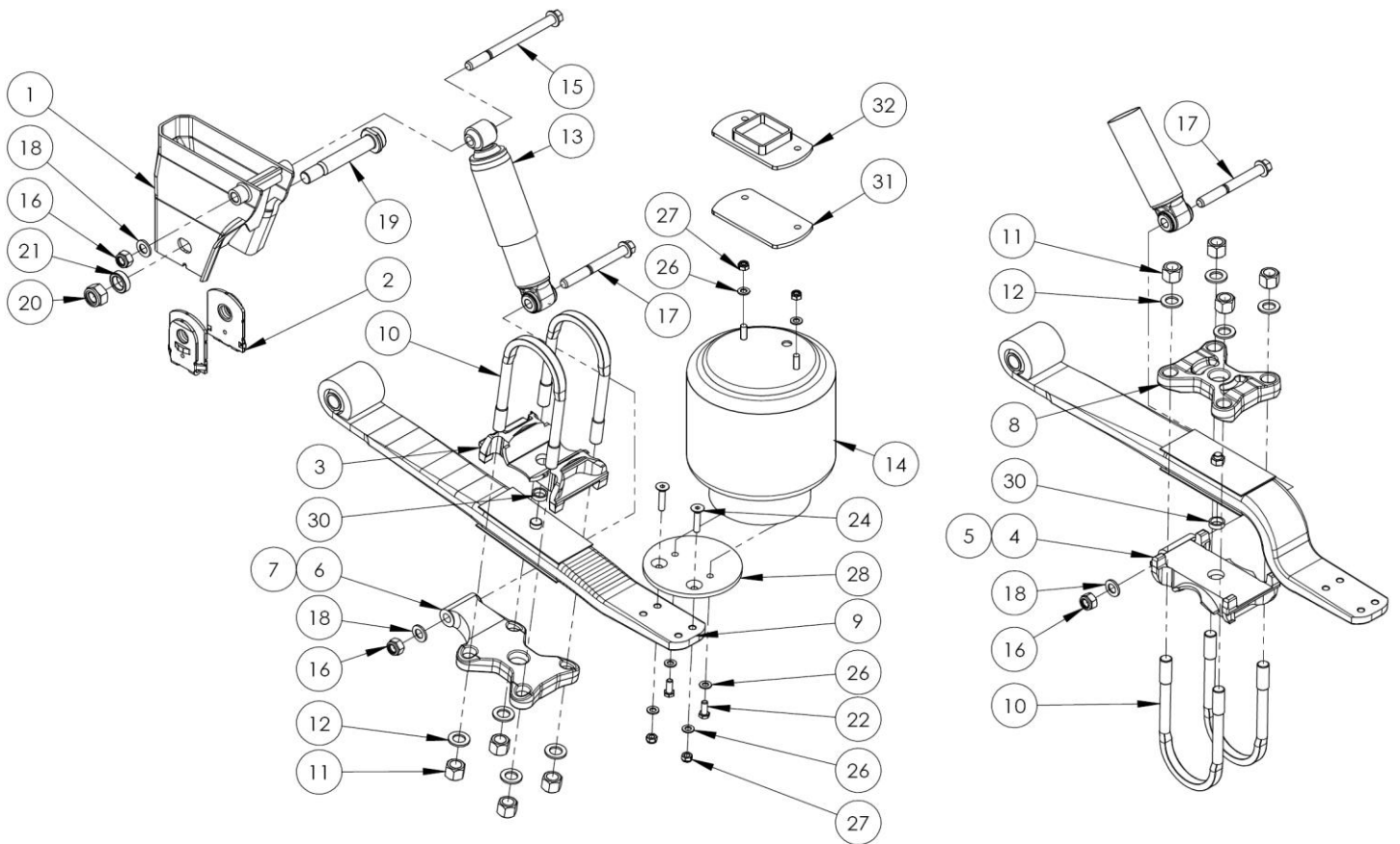


**PARTS VIEW**

**WEWELER UltraLite & Euro (9t)**

**UltraLite  
 STD SHOCK ABSORBER**



underslung

overslung

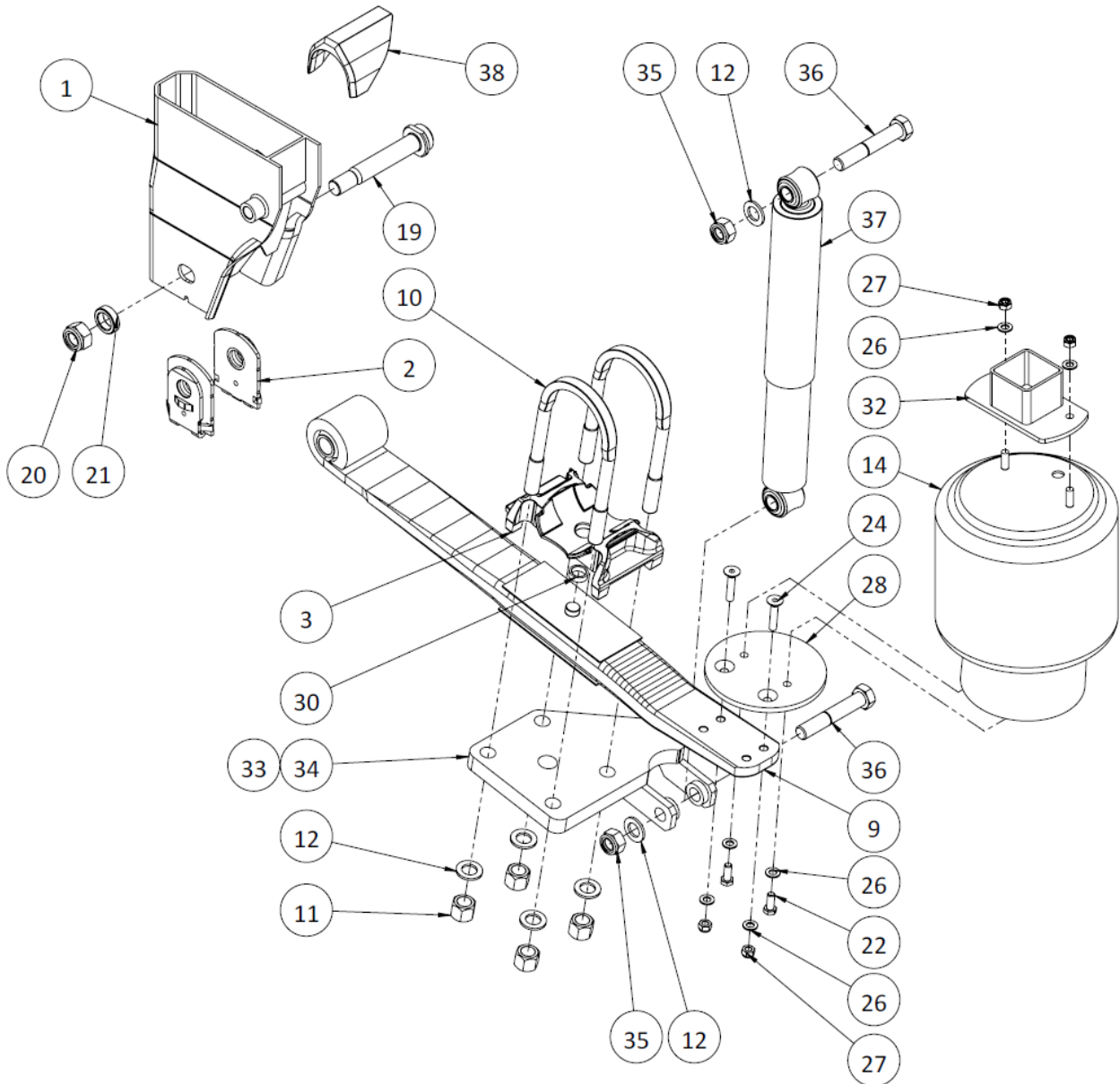
# PARTS VIEW

| Ref No. | PART No.         | DESCRIPTION                       | APPLICATION                  |           |     |     |     |     |     |
|---------|------------------|-----------------------------------|------------------------------|-----------|-----|-----|-----|-----|-----|
|         |                  |                                   | ULTRALITE STD SHOCK ABSORBER |           |     |     |     |     |     |
|         |                  |                                   | 230 & 250                    | 315 & 325 | 375 | 400 | 425 | 450 | 475 |
| 1       | WUT001C88A290    | HANGER BRACKET – 290 O/A Height   | 2                            | -         | 2   | -   | -   | -   | -   |
| 1       | WUT001C88A310    | HANGER BRACKET – 310 O/A Height   | -                            | -         | -   | 2   | -   | -   | -   |
| 1       | WUT001C88A335    | HANGER BRACKET – 335 O/A Height   | -                            | -         | -   | -   | 2   | -   | -   |
| 1       | WUT001C88A360    | HANGER BRACKET – 360 O/A Height   | -                            | 2         | -   | -   | -   | 2   | -   |
| 1       | WUT001C88A390    | HANGER BRACKET – 390 O/A Height   | -                            | -         | -   | -   | -   | -   | 2   |
| 2       | WUT010A19KB      | WEAR PLATE ADJUSTABLE             | 4                            | 4         | 4   | 4   | 4   | 4   | 4   |
| 3       | WUT006001A78A ^^ | AXLE SEAT 127dia                  | 2                            | 2         | -   | -   | -   | -   | -   |
| 4       | WUT006001L78A ^^ | AXLE SEAT 127L                    | -                            | -         | 1   | 1   | 1   | 1   | 1   |
| 5       | WUT006001R78A ^^ | AXLE SEAT 127R                    | -                            | -         | 1   | 1   | 1   | 1   | 1   |
| 6       | WUT005L56K       | U-BOLT PLATE 127dia LH            | 1                            | 1         | -   | -   | -   | -   | -   |
| 7       | WUT005R56K       | U-BOLT PLATE 127dia RH            | 1                            | 1         | -   | -   | -   | -   | -   |
| 8       | WUT005001A73K    | U-BOLT PLATE 127dia               | -                            | -         | 2   | 2   | 2   | 2   | 2   |
| 9       | WF001A437HG75    | TRAILING ARM ULTRA                | 2                            | 2         | -   | -   | -   | -   | -   |
| 9       | WF001A437HE75    | TRAILING ARM ULTRA                | -                            | -         | 2   | 2   | 2   | 2   | 2   |
| 10      | WB001M24B064     | U-BOLT F 127 M24 L=270            | 4                            | 4         | 4   | 4   | 4   | 4   | 4   |
| 11      | WC290140G        | HIGH NUT M24x2-10.0               | 8                            | 8         | 8   | 8   | 8   | 8   | 8   |
| 12      | WUBR24N002B      | WASHER M24                        | 8                            | 8         | 8   | 8   | 8   | 8   | 8   |
| 13      | WD8A91-2643W     | SHOCK ABSORBER TYPE 2643W         | 2                            | 2         | 2   | 2   | 2   | 2   | 2   |
| 14      | WUS07364F        | AIRSPRING UL & EURO               | 2                            | 2         | 2   | 2   | 2   | 2   | 2   |
| 15      | WC275128D        | TOP SHOCKER BOLT M20x2x240-10.9   | 2                            | 2         | 2   | 2   | 2   | 2   | 2   |
| 16      | WC330063         | NYLOC NUT M20x2                   | 4                            | 4         | 4   | 4   | 4   | 4   | 4   |
| 17      | WC275126D        | LOWER SHOCKER BOLT M20x2x175-10.9 | 2                            | 2         | 2   | 2   | 2   | 2   | 2   |
| 18      | WC301389D        | HV WASHER M20                     | 4                            | 4         | 4   | 4   | 4   | 4   | 4   |
| 19      | WC401227D        | PIVOT BOLT M27x186                | 2                            | 2         | 2   | 2   | 2   | 2   | 2   |
| 20      | WUBM27N006ZN     | NYLOC NUT M27x2                   | 2                            | 2         | 2   | 2   | 2   | 2   | 2   |
| 21      | WUT009A09G       | WASHER 030/046                    | 2                            | 2         | 2   | 2   | 2   | 2   | 2   |
| 22      | WC270602         | BOLT M12x30                       | 4                            | 4         | 4   | 4   | 4   | 4   | 4   |
| 24      | WC275612         | COUNTERSUNK ALLEN BOLT M12x60     | 4                            | 4         | 4   | 4   | 4   | 4   | 4   |
| 26      | WC301348         | WASHER M12                        | 12                           | 12        | 12  | 12  | 12  | 12  | 12  |
| 27      | WC330021         | LOCK NUT M12                      | 8                            | 8         | 8   | 8   | 8   | 8   | 8   |
| 28      | WUT003A24K       | OFFSET PLATE 65mm                 | 2                            | 2         | 2   | 2   | 2   | 2   | 2   |
| 30      | WN100605-001     | CENTER BOLT RING                  | 2                            | 2         | 2   | 2   | 2   | 2   | 2   |
| 31      | WN100603-003     | AIRBAG TOP PLATE                  | 2                            | -         | 2   | -   | -   | -   | -   |
| 32      | WUT011A00E022    | PEDESTAL C = 30                   | -                            | -         | -   | 2   | -   | -   | -   |
| 32      | WUT011A00E042    | PEDESTAL C = 50                   | -                            | -         | -   | -   | 2   | -   | -   |
| 32      | WUT011A00E067    | PEDESTAL C = 75                   | -                            | 2         | -   | -   | -   | 2   | -   |
| 32      | WUT011A00E092    | PEDESTAL C = 100                  | -                            | -         | -   | -   | -   | -   | 2   |
|         | WC234264         | PIVOT BUSH – 9T – STEEL/RUBBER    |                              |           |     |     |     |     |     |

**Note:** ^^ HD axle seats are available, see the PV for 11t & 13t for the part numbers.

# PARTS VIEW

## UltraLite REAR SHOCK ABSORBER

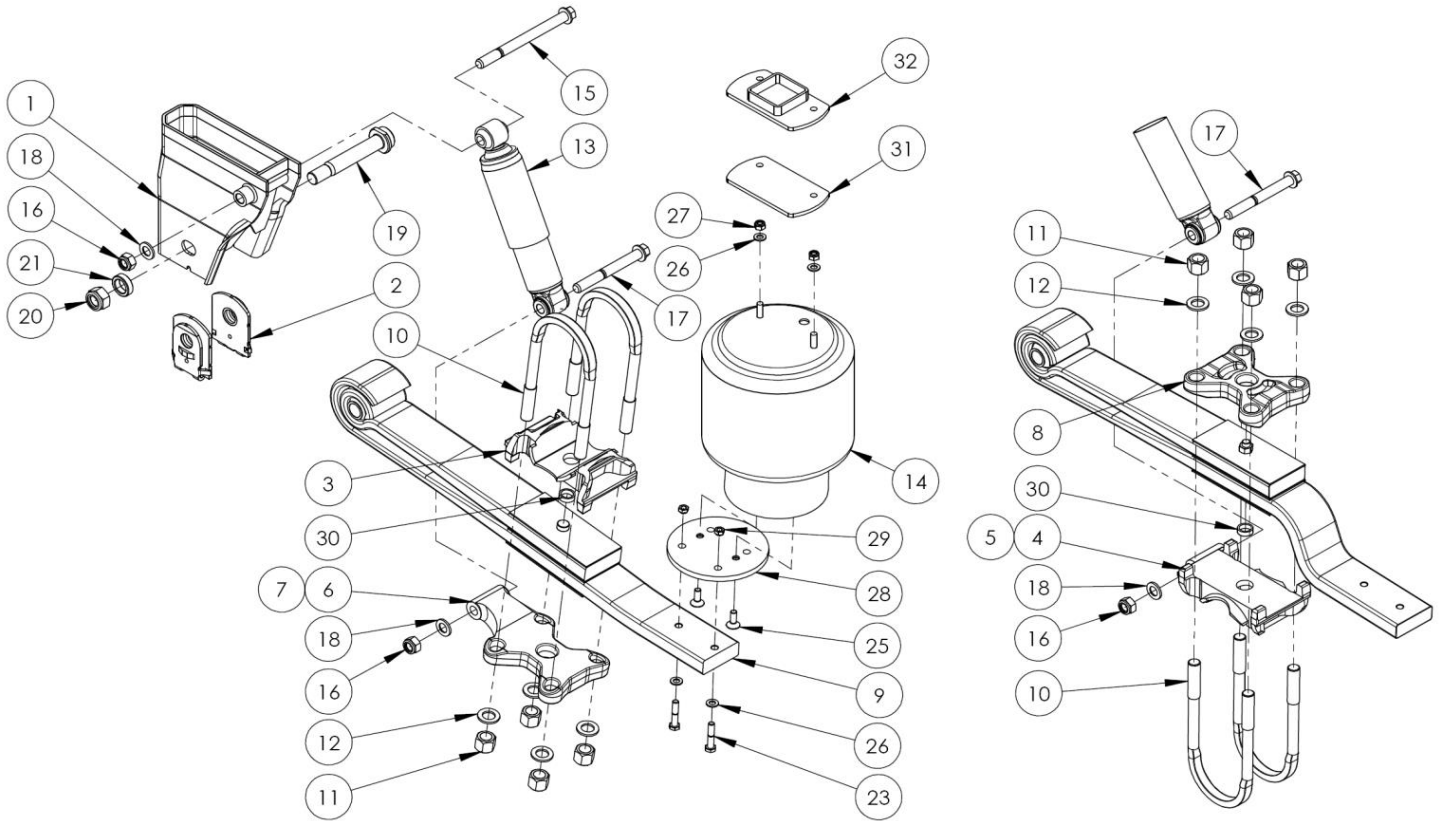


# PARTS VIEW

| Ref No. | PART No.         | DESCRIPTION                    | APPLICATION                              |           |
|---------|------------------|--------------------------------|--|-----------|
|         |                  |                                | 230 & 250                                | 305 & 325 |
|         |                  |                                | <b>ULTRALITE<br/>REAR SHOCK ABSORBER</b> |           |
| 1       | WUT001C88A290    | HANGER 235                     | 2  | -         |
| 1       | WUT001C88A360    | HANGER 305                     | -  | 2         |
| 2       | WUT010A19KB      | WEAR PLATE ADJUSTABLE          | 4  | 4         |
| 3       | WUT006001A78A ^^ | AXLE SEAT 127dia               | 2  | 2         |
| 9       | WF001A437HG75    | TRAILING ARM ULTRA             | 2  | 2         |
| 10      | WB001M24B064     | U-BOLT F 127 M24 L=270         | 4  | 4         |
| 11      | WC290140G        | HIGH NUT M24x2-10.0            | 8  | 8         |
| 12      | WUBR24N002B      | WASHER M24                     | 12                                       | 12        |
| 14      | WUS07364F        | AIRSPRING UL & EURO            | 2  | 2         |
| 19      | WC401227D        | PIVOT BOLT M27x186             | 2  | 2         |
| 20      | WUBM27N006ZN     | NYLOC NUT M27x2                | 2  | 2         |
| 21      | WUT009A09G       | WASHER 030/046                 | 2  | 2         |
| 22      | WC270602         | BOLT M12x30                    | 4  | 4         |
| 24      | WC275612         | COUNTERSUNK ALLEN BOLT M12x60  | 4  | 4         |
| 26      | WC301348         | WASHER M12                     | 12                                       | 12        |
| 27      | WC330021         | LOCK NUT M12                   | 8  | 8         |
| 28      | WUT003A24K       | OFFSET PLATE 65mm              | 2  | 2         |
| 30      | WN100605-001     | CENTER BOLT RING               | 2  | 2         |
| 32      | WUT011A00E067    | PEDESTAL C = 75                | -  | 2         |
| 33      | WUT005001A39K    | U-BOLT PLATE LH                | 1  | 1         |
| 34      | WUT005001A40K    | U-BOLT PLATE RH                | 1  | 1         |
| 35      | WC330081         | LOCKNUT M24                    | 4  | 4         |
| 36      | WC275344         | BOLT M24x140-8.8               | 4  | 4         |
| 37      | WD8K90-2024SP3   | SHOCK ABOSORBER                | 2  | 2         |
| 38      | WUT996A17A       | WELD-ON BRACING                | 2  | 2         |
|         | WC234264         | PIVOT BUSH – 9T – STEEL/RUBBER |  |           |

# PARTS VIEW

## Euro STD SHOCK ABSORBER



underslung

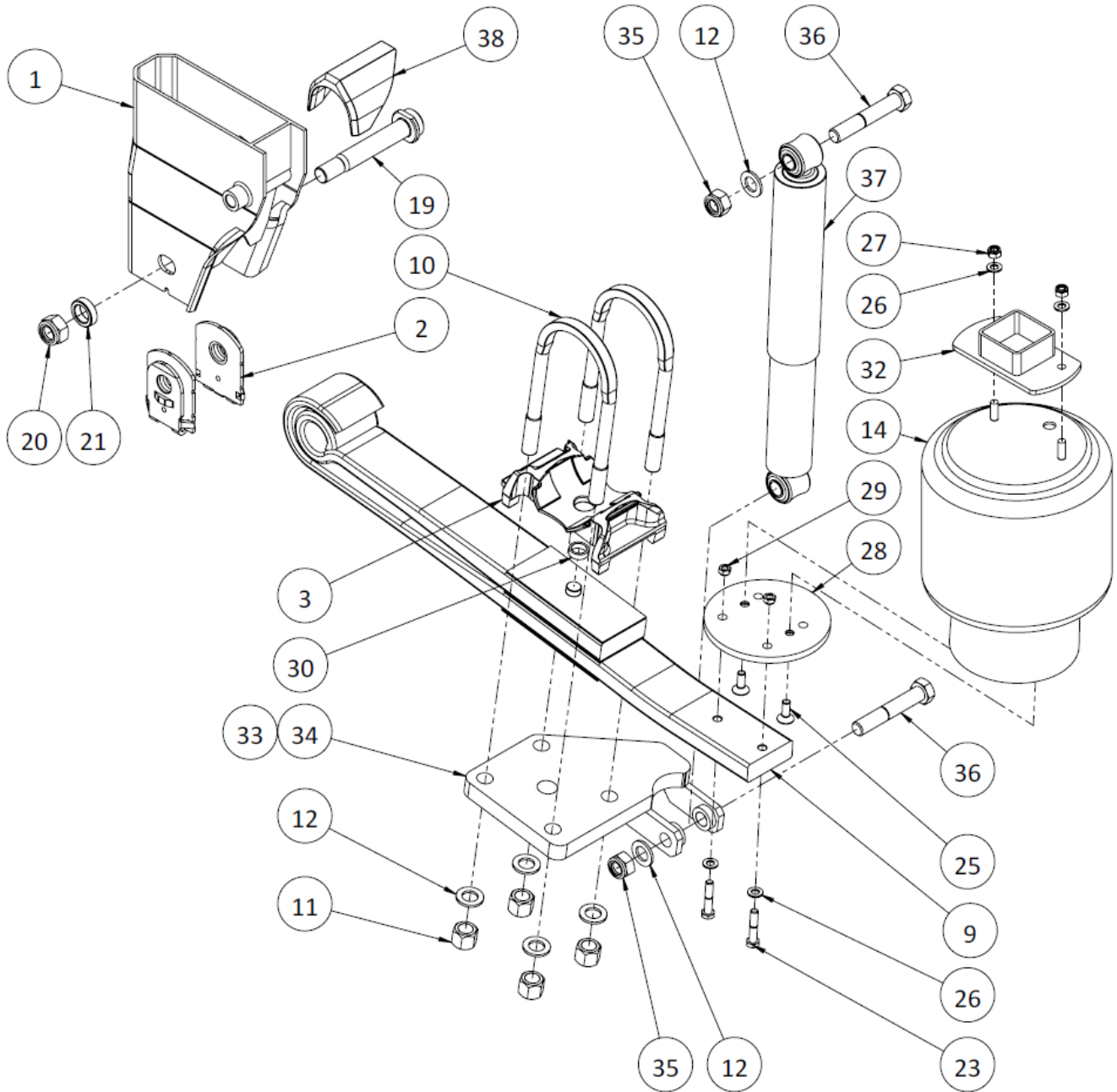
overslung

# PARTS VIEW

| Ref No. | PART No.         | DESCRIPTION                       | APPLICATION             |           |           |           |           |           |           |           |
|---------|------------------|-----------------------------------|-------------------------|-----------|-----------|-----------|-----------|-----------|-----------|-----------|
|         |                  |                                   | EURO STD SHOCK ABSORBER |           |           |           |           |           |           |           |
|         |                  |                                   | 230 & 235               | 280 & 285 | 310 & 315 | 375 & 380 | 400 & 405 | 425 & 430 | 450 & 455 | 475 & 480 |
| 1       | WUT001C88A285    | HANGER BRACKET – 285 O/A Height   | -                       | -         | -         | 2         | -         | -         | -         | -         |
| 1       | WUT001C88A310    | HANGER BRACKET – 310 O/A Height   | 2                       | -         | -         | -         | 2         | -         | -         | -         |
| 1       | WUT001C88A335    | HANGER BRACKET – 335 O/A Height   | -                       | -         | -         | -         | -         | 2         | -         | -         |
| 1       | WUT001C88A360    | HANGER BRACKET – 360 O/A Height   | -                       | 2         | -         | -         | -         | -         | 2         | -         |
| 1       | WUT001C88A390    | HANGER BRACKET – 390 O/A Height   | -                       | -         | 2         | -         | -         | -         | -         | 2         |
| 2       | WUT010A19KB      | WEAR PLATE ADJUSTABLE             | 4                       | 4         | 4         | 4         | 4         | 4         | 4         | 4         |
| 3       | WUT006001A78A ^^ | AXLE SEAT 127dia                  | 2                       | 2         | 2         | -         | -         | -         | -         | -         |
| 4       | WUT006001L78A ^^ | AXLE SEAT 127L                    | -                       | -         | -         | 1         | 1         | 1         | 1         | 1         |
| 5       | WUT006001R78A ^^ | AXLE SEAT 127R                    | -                       | -         | -         | 1         | 1         | 1         | 1         | 1         |
| 6       | WUT005L56K       | U-BOLT PLATE 127dia LH            | 1                       | 1         | 1         | -         | -         | -         | -         | -         |
| 7       | WUT005R56K       | U-BOLT PLATE 127dia RH            | 1                       | 1         | 1         | -         | -         | -         | -         | -         |
| 8       | WUT005001A73K    | U-BOLT PLATE 127dia               | -                       | -         | -         | 2         | 2         | 2         | 2         | 2         |
| 9       | WF001A137DG75    | TRAILING ARM EURO                 | 2                       | 2         | 2         | -         | -         | -         | -         | -         |
| 9       | WF001A137DE75    | TRAILING ARM EURO                 | -                       | -         | -         | 2         | 2         | 2         | 2         | 2         |
| 10      | WB001M24B077     | U-BOLT F 127 M24 L=295            | 4                       | 4         | 4         | 4         | 4         | 4         | 4         | 4         |
| 11      | WC290140G        | HIGH NUT M24x2-10.0               | 8                       | 8         | 8         | 8         | 8         | 8         | 8         | 8         |
| 12      | WUBR24N002G      | WASHER M24                        | 8                       | 8         | 8         | 8         | 8         | 8         | 8         | 8         |
| 13      | WD8A91-2643W     | SHOCK ABSORBER TYPE 2643W         | 2                       | 2         | 2         | 2         | 2         | 2         | 2         | 2         |
| 14      | WUS07364F        | AIRSPRING EURO                    | 2                       | 2         | 2         | 2         | 2         | 2         | 2         | 2         |
| 15      | WC275128G        | TOP SHOCKER BOLT M20x2x240-10.9   | 2                       | 2         | 2         | 2         | 2         | 2         | 2         | 2         |
| 16      | WC330063         | NYLOC NUT M20x2                   | 4                       | 4         | 4         | 4         | 4         | 4         | 4         | 4         |
| 17      | WC275126G        | LOWER SHOCKER BOLT M20x2x175-10.9 | 2                       | 2         | 2         | 2         | 2         | 2         | 2         | 2         |
| 18      | WC301389D        | HV WASHER M20                     | 4                       | 4         | 4         | 4         | 4         | 4         | 4         | 4         |
| 19      | WC401227G        | PIVOT BOLT M27x186                | 2                       | 2         | 2         | 2         | 2         | 2         | 2         | 2         |
| 20      | WUBM27N006ZN     | NYLOC NUT M27x2                   | 2                       | 2         | 2         | 2         | 2         | 2         | 2         | 2         |
| 21      | WUT009A09G       | WASHER 030/046                    | 2                       | 2         | 2         | 2         | 2         | 2         | 2         | 2         |
| 23      | WC270614         | BOLT M12 x 60                     | 4                       | 4         | 4         | 4         | 4         | 4         | 4         | 4         |
| 25      | WUBB12N009Z      | COUNTERSUNK ALLEN BOLT M12x35     | 4                       | 4         | 4         | 4         | 4         | 4         | 4         | 4         |
| 26      | WC301348         | WASHER M12                        | 8                       | 8         | 8         | 8         | 8         | 8         | 8         | 8         |
| 27      | WC330021         | LOCK NUT M12                      | 4                       | 4         | 4         | 4         | 4         | 4         | 4         | 4         |
| 28      | WUT003A72K       | OFFSET PLATE 30/50mm KTL Euro     | 2                       | 2         | 2         | 2         | 2         | 2         | 2         | 2         |
| 29      | WC281082         | KALEI NUT M12 x 1.75/ZN           | 4                       | 4         | 4         | 4         | 4         | 4         | 4         | 4         |
| 30      | WN100605-001     | CENTER BOLT RING                  | 2                       | 2         | 2         | 2         | 2         | 2         | 2         | 2         |
| 31      | WN100603-003     | AIRBAG TOP PLATE                  | 2                       | -         | -         | 2         | -         | -         | -         | -         |
| 32      | WUT011A00E022    | PEDESTAL C = 30                   | -                       | -         | -         | -         | 2         | -         | -         | -         |
| 32      | WUT011A00E042    | PEDESTAL C = 50                   | -                       | 2         | -         | -         | -         | 2         | -         | -         |
| 32      | WUT011A00E067    | PEDESTAL C = 75                   | -                       | -         | 2         | -         | -         | -         | 2         | -         |
| 32      | WUT011A00E092    | PEDESTAL C = 100                  | -                       | -         | -         | -         | -         | -         | -         | 2         |
|         | WC234264         | PIVOT BUSH – 9T – STEEL/RUBBER    |                         |           |           |           |           |           |           |           |

# PARTS VIEW

## Euro REAR SHOCK ABSORBER



# PARTS VIEW

| Ref No. | PART No.       | DESCRIPTION                    | APPLICATION                         |           |           |
|---------|----------------|--------------------------------|-------------------------------------|-----------|-----------|
|         |                |                                | 230 & 235                           | 280 & 285 | 305 & 310 |
|         |                |                                | <b>EURO<br/>REAR SHOCK ABSORBER</b> |           |           |
| 1       | WUT001C88A310  | HANGER BRACKET – 255           | 2                                   | -         | -         |
| 1       | WUT001C88A360  | HANGER BRACKET – 305           | -                                   | 2         | -         |
| 1       | WUT001C88A390  | HANGER BRACKET – 335           | -                                   | -         | 2         |
| 2       | WUT010A19KB    | WEAR PLATE ADJUSTABLE          | 4                                   | 4         | 4         |
| 9       | WF001A137DG75  | TRAILING ARM EURO              | 2                                   | 2         | 2         |
| 10      | WB001M24B077   | U-BOLT F 127 M24 L=295         | 4                                   | 4         | 4         |
| 11      | WC290140G      | HIGH NUT M24x2-10.0            | 8                                   | 8         | 8         |
| 12      | WUBR24N002B    | WASHER M24                     | 8                                   | 8         | 8         |
| 14      | WUS07364F      | AIRSPRING EURO                 | 2                                   | 2         | 2         |
| 19      | WC401227D      | PIVOT BOLT M27x186             | 2                                   | 2         | 2         |
| 20      | WUBM27N006ZN   | NYLOC NUT M27x2                | 2                                   | 2         | 2         |
| 21      | WUT009A09G     | WASHER 030/046                 | 2                                   | 2         | 2         |
| 23      | WC270614       | BOLT M12 x 60                  | 4                                   | 4         | 4         |
| 25      | WUBB12N009Z    | COUNTERSUNK ALLEN BOLT M12x35  | 4                                   | 4         | 4         |
| 26      | WC301348       | WASHER M12                     | 8                                   | 8         | 8         |
| 27      | WC330021       | LOCK NUT M12                   | 4                                   | 4         | 4         |
| 28      | WUT003A72K     | OFFSET PLATE 30/50mm KTL Euro  | 2                                   | 2         | 2         |
| 29      | WC281082       | KALEI NUT M12 x 1.75/ZN        | 4                                   | 4         | 4         |
| 30      | WN100605-001   | CENTER BOLT RING               | 2                                   | 2         | 2         |
| 32      | WUT011A00E042  | PEDESTAL C = 50                | -                                   | 2         | -         |
| 32      | WUT011A00E067  | PEDESTAL C = 75                | -                                   | -         | 2         |
| 33      | WUT005001A39K  | U-BOLT PLATE LH                | 1                                   | 1         | 1         |
| 34      | WUT005001A40K  | U-BOLT PLATE RH                | 1                                   | 1         | 1         |
| 35      | WC330081       | LOCKNUT                        | 4                                   | 4         | 4         |
| 36      | WC275344       | BOLT                           | 4                                   | 4         | 4         |
| 37      | WD8K90-2024SP3 | SHOCK ABSORBER                 | 2                                   | 2         | 2         |
| 38      | WUT996A17A     | WELD-ON BRACING                | 2                                   | 2         | 2         |
|         | WC234264       | PIVOT BUSH – 9T – STEEL/RUBBER |                                     |           |           |