

PARTS VIEW

LANDING LEGS

KH25



KH227



KH37**



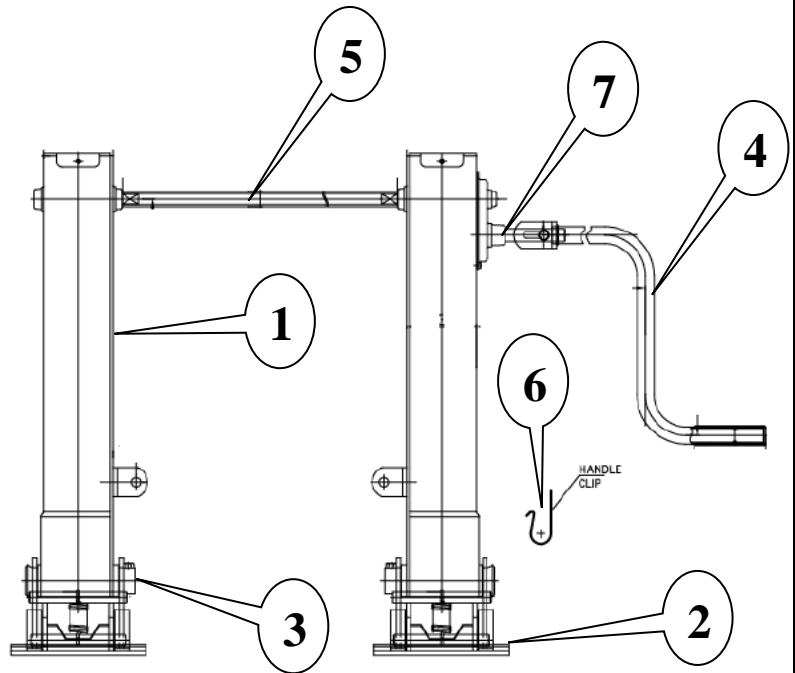
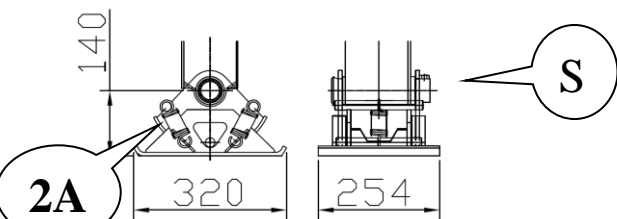
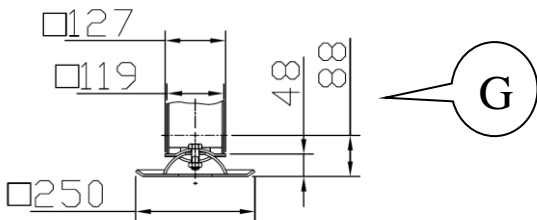
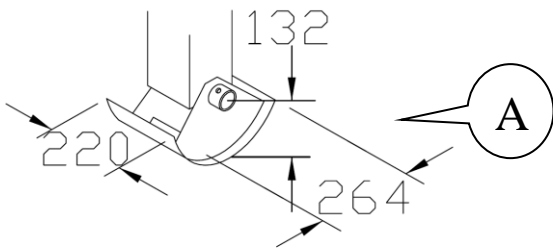
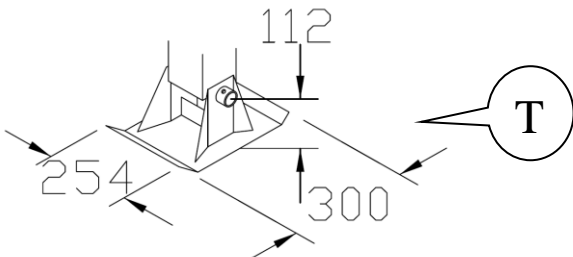
KH275



KH37eLEG



Parts for the eLEG are on page 5.



Note: The installation drawing shows a KH37** Series assembly

* The Landing Leg assembly contains: Geared Leg, Slave Leg, Connection Shaft, Feet, Crank Handle and Clip
 ^ HD Jockey Leg, includes Crank Handle



PARTS VIEW

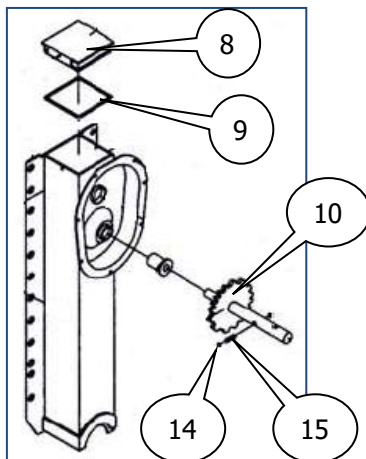
Ref No.	PART No.	DESCRIPTION	APPLICATION					
			Foot Style	Travel (mm)	KH25	KH227	KH37**	KH275 Geared Leg only
1	KH250001/T	Landing Leg Assembly*	T	430	X			
1	KH250001/A	Landing Leg Assembly*	A	430	X			
1	KH250001/G	Landing Leg Assembly*	G	430	X			
1	KH250001/S	Landing Leg Assembly*	S	430	X			
1	KH250002/T	Landing Leg Assembly*	T	480	X			
1	KH250002/A	Landing Leg Assembly*	A	480	X			
1	KH250002/G	Landing Leg Assembly*	G	480	X			
1	KH250002/S	Landing Leg Assembly*	S	480	X			
1	KH2270S01/T	Landing Leg Assembly*	T	430		X		
1	KH2270S01/A	Landing Leg Assembly*	A	430		X		
1	KH2270S01/G	Landing Leg Assembly*	G	430		X		
1	KH2270S01/S	Landing Leg Assembly*	S	430		X		
1	KH2270S02/T	Landing Leg Assembly*	T	480		X		
1	KH2270S02/A	Landing Leg Assembly*	A	480		X		
1	KH2270S02/G	Landing Leg Assembly*	G	480		X		
1	KH2270S02/S	Landing Leg Assembly*	S	480		X		
1	KH370014/T	Landing Leg Assembly*	T	355			X	
1	KH370014/A	Landing Leg Assembly*	A	355			X	
1	KH370014/S	Landing Leg Assembly*	S	355			X	
1	KH370001/T	Landing Leg Assembly*	T	430			X	
1	KH370001/A	Landing Leg Assembly*	A	430			X	
1	KH370001/G	Landing Leg Assembly*	G	430			X	
1	KH370001/S	Landing Leg Assembly*	S	430			X	
1	KH370002/T	Landing Leg Assembly*	T	480			X	
1	KH370002/A	Landing Leg Assembly*	A	480			X	
1	KH370002/G	Landing Leg Assembly*	G	480			X	
1	KH370002/S	Landing Leg Assembly*	S	480			X	
1	KH275202T-GT ^Δ	Landing Leg (Geared Leg only)	T	480				X
2	KH200015T	Foot	T		X	X	X	
2	KH200015A	Foot	A		X	X	X	
2	KH200015S	Foot	S		X	X	X	X
2A	FW2870S1103	Spring	S		2 springs per compensator foot			
2	KH200015G	Foot	G		X		X	
3	KH200014	Foot Axle Shaft			X	X	X	X
4	KH200001	Crank Handle (STD)			X	X	X	
4	KH275001	Crank Handle (STD)						X
4	KH200001-965	Crank Handle (Extra long)						
5	KH220012	Connection Shaft square				X	X	
5	KH220011	Connection Shaft round			X			
6	KH200002	Handle Clip			X	X	X	
7	FW3719S2015 Δ	Cover Assembly (c/w steel bush, shaft, spring & ball)					X	
7	FW2790T-2001	Input shaft & Gear Assembly						X
7	FW2790T-2004	Bush, Input shaft						X
7	FW2207T2012	Bush				X		

Δ see page 4 for more details.

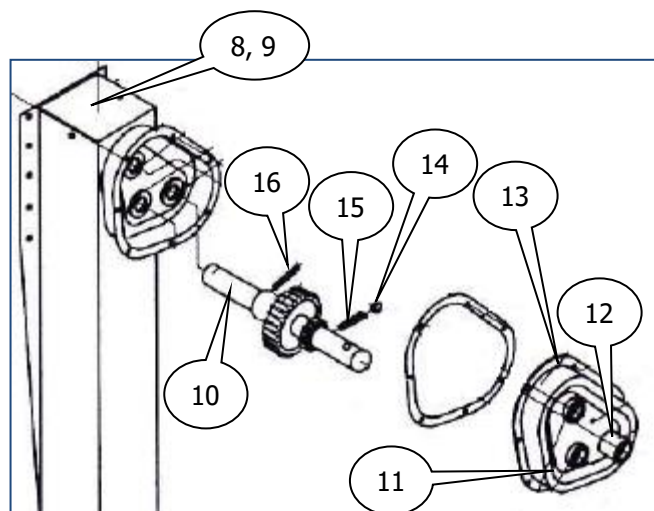
PARTS VIEW

Ref No.	PART No.	DESCRIPTION	APPLICATION			
			KH25	KH227	KH37**	KH275 Geared Leg only
8	FW2217C-010002	Leg Cover (small)		X		
8	FW2817C-010002	Leg Cover (big)	X		X	X
9	FW2217C-010006	Leg Cover Seal (small)		X		
9	FW2817C-010006	Leg Cover Seal (big)	X		X	X
10	FW2207T2001K	Input shaft Assembly		X		
10	FW200011	Shift Shaft	X			
10	FW2790T-2001	Gear & Shaft Assembly				X
11	FW200007	Gearbox Cover	X			
12	FW240026	Space Bush	X			
12	FW2790T-2004	Bush				X
13	FW240025	Bush Cover	X			
14	FW240014	Ball (10mm)	X			
14	FW240018	Ball (8mm)		X		
15	FW240013	Spring (6mm)		X		
15	FW2870T-2004	Spring (8mm)	X			
16	FW240012	Groove Pin	X			

KH227



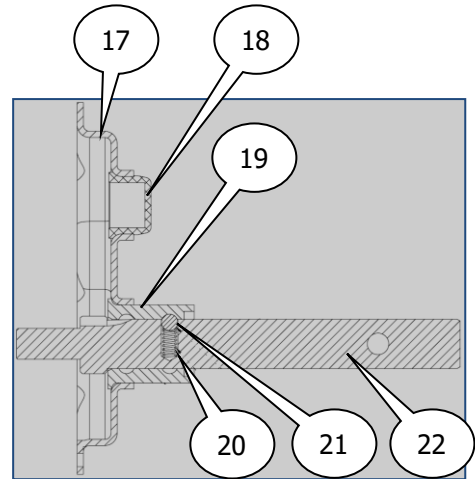
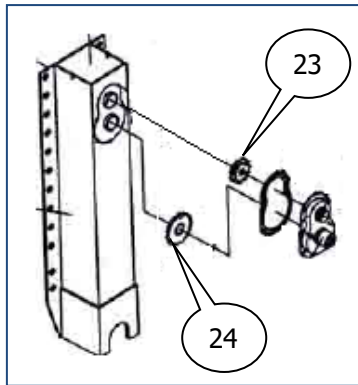
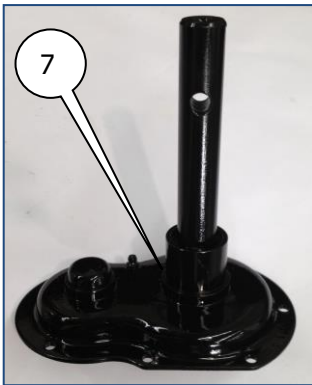
KH25



PARTS VIEW

Ref No.	PART No.	DESCRIPTION	APPLICATION			
			KH25	KH227	KH37**	KH275 Geared Leg only
17	NSS	Cover only			X	
18	FW3719S2013	Nylon Bush			X	
19	NSS	Steel Bush			X	
20	FW240013	Spring 6mm			X	
21	FW240018	Ball 8mm			X	
22	FW3219C-020003	Shaft			X	
23	FW3719C-020009	Gear, small upper shaft			X	
24	FW3719C-020002	Gear, large lower shaft			X	

KH37**



Note: In the event that you have to replace the input gear shaft or/and the urethane bush of the original urethane bush design, you will need to order a complete cover assembly of the new steel bush design.

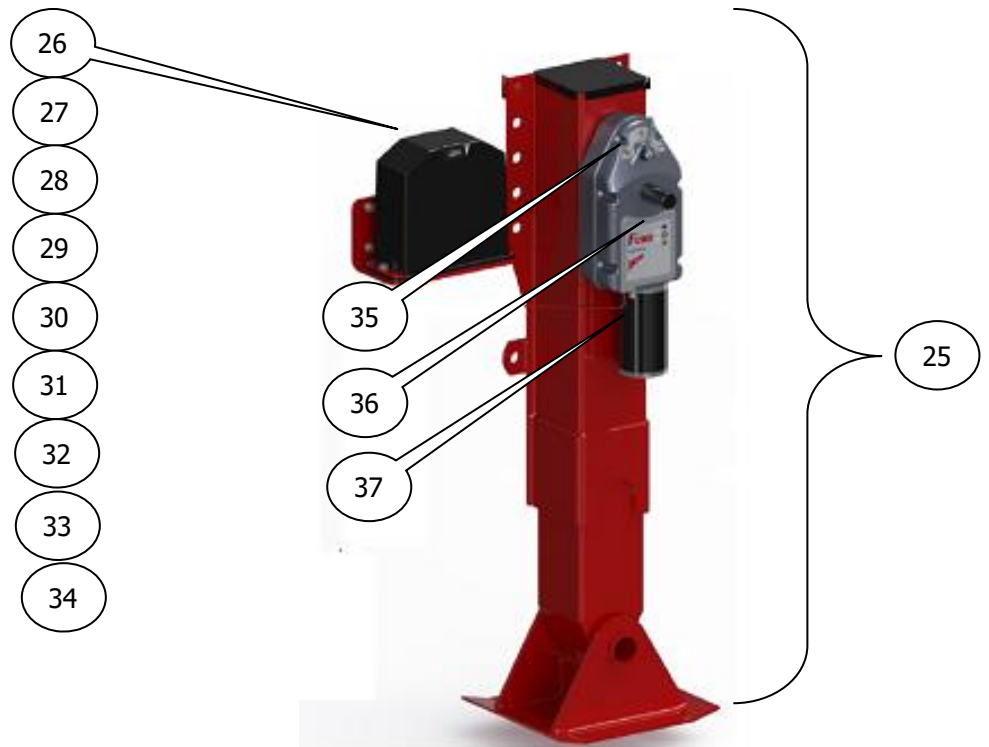
Urethane bush design, until Dec 2015



Steel bush design, from Jan 2016



PARTS VIEW



Ref No.	PART No.	DESCRIPTION	APPLICATION		
			Foot Style***	Travel (inch & mm)	eLEG
25	FW3714GE40	Landing Leg Assembly*	G	14" & 355	X
25	FW3714TE40	Landing Leg Assembly*	T	14" & 355	X
25	FW3717SE40	Landing Leg Assembly*	S	17" & 430	X
25	FW3717AE40	Landing Leg Assembly*	A	17" & 430	X
25	FW3719SE40	Landing Leg Assembly*	S	19" & 480	X
25	FW3719TE40	Landing Leg Assembly*	T	19" & 480	X
26	R012310	Battery			1
27	R012100	Battery Bracket			1
28	R012120	Battery Strap			1
29	BCAP14	Charger			1
30	R012200	Battery Cover			1
31	PN0006F	Battery Harness			1
32	PN0005E	Charger Harness			1
33	R012110	Battery Clamp			2
34	51-0210	Rubber Pad			2
35	R01100S	Gear Box			1
36	ECEL14S	Control Unit			1
37	R1400S	Motor			1
NS	NSS	30Amp Fuse			1
4	YB-E1000	Emergency Handle			1

Note:

*: The Landing Leg assembly contains: Motorised Leg, Slave Leg, Connection Shaft, Feet, Battery, Charger, and Emergency Crank Handle.

** : The KH37 is not available in Europe and the USA.

***: Other than the G foot, all the feet are interchangeable.

NS: Not shown NSS: Not sold separately