



FUWA K HITCH (Australia) Pty Ltd

ABN 54 078 731 209

Head Office

Melbourne

13-21 Bliss Court
Derrimut VIC 3026
Tel. 03 9369 0000
Fax. 03 9369 0100

Queensland

41 Moreton
Heathwood Qld 4110
Tel. 07 3372 2223
Fax. 07 3372 1022

Perth

5 Freight Road
Kenwick WA 6107
Tel. 08 9350 6470
Fax. 08 9350 6570

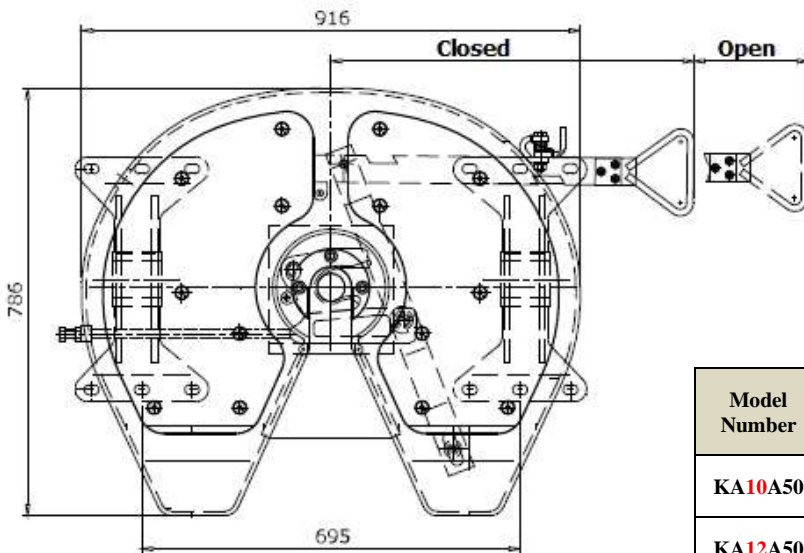
SALES SPEC SHEET

5th Wheel KA..A

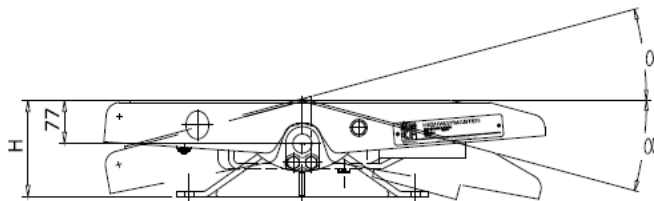
The FUWA K Hitch KA 5th Wheel range is a **SINGLE-PIECE JAW** design, fully fabricated from high quality steel.

The adjustable design is available in two basic tops.

The pressed top 5th Wheel is of a light, but durable construction to accommodate any typical single and B-double highway application.



Model Number	Model Name	Top Lube	Top Width	Weight (kg – no Feet)
KA10A50	Highway Master	Grease-able	STD 915mm	130
KA12A50		Grease-less	STD 915mm	113
Handle Length	Guide only	Closed 665mm	Guide only	Open 875mm



Note: These 5th Wheels can be supplied with a range of attachments.

- Base plates (drilled and undrilled)
- Ball Races (60mm & 90mm, Ø1000mm)
- Half moon plates

Mount Height (H) (mm)	α	D-Rating (kN)	Vertical Load (kg)	King Pin Size (mm)	CRN CTA
132	13°	174	20,000	50	32015 CTA-032015
152	13°				
170	15°				
200	18°				
222	18°				



FUWA K HITCH (Australia) Pty Ltd

ABN 54 078 731 209

**Head Office
Melbourne**
13-21 Bliss Court
Derrimut VIC 3026
Tel. 03 9369 0000
Fax. 03 9369 0100

Queensland
41 Moreton
Heathwood Qld 4110
Tel. 07 3372 2223
Fax. 07 3372 1022

Perth
5 Freight Road
Kenwick WA 6107
Tel. 08 9350 6470
Fax. 08 9350 6570

KA..A SERVICE INFORMATION

BULLETIN NUMBER	TOPIC	DESCRIPTION
KPW-002-0110	Warranty	Limitation of Liabilities
KPW-004-0110		LGL's
KPM-001-0110		Claim Form
KPA-005-0310	Installation	Foot Attachment
KPM-007-0310		Installation & Service Bulletin
KPS-006-1012	Parts	Parts View
KPM-007-0310	Maintenance	Installation & Service Bulletin

Bulletins:

All Bulletins are on: www.khitch.com.au

...or call FKH at your nearest location.

