



FUWA K HITCH (Australia) Pty Ltd

ABN 54 078 731 209

Head Office

Melbourne

13-21 Bliss Court
Derrimut VIC 3026
Tel. 03 9369 0000
Fax. 03 9369 0100

Queensland

41 Moreton
Heathwood Qld 4110
Tel. 07 3372 2223
Fax. 07 3372 1022

Perth

5 Freight Road
Kenwick WA 6107
Tel. 08 9350 6470
Fax. 08 9350 6570

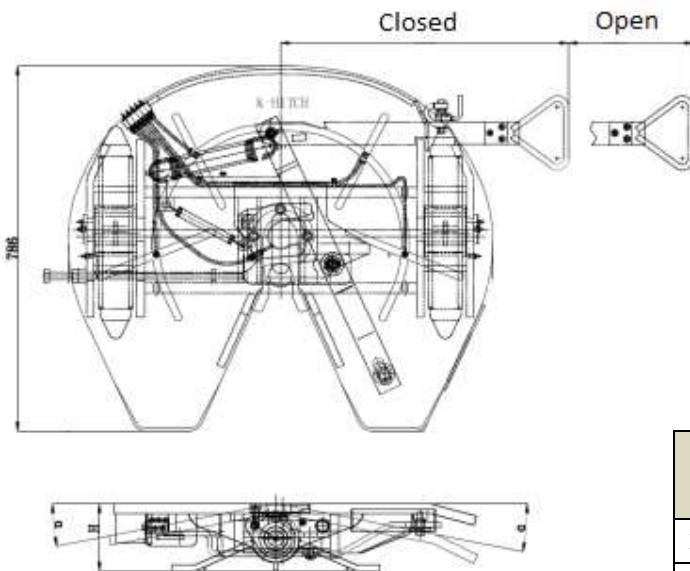
SALES SPEC SHEET

5th Wheel KA..C

The FUWA K Hitch KA 5th Wheel range is a **SINGLE-PIECE JAW** design, fully fabricated from high quality steel.

The adjustable design is available in four basic tops.

The very solid and durable construction is ideally suited for any typical on/off highway application including B-Doubles and Road Trains.



Model Number	Model Name	Top Lube	Top Width	Weight (kg – no Feet)
KA10C50	Fleet Master	Grease-able	STD 915mm	131
KA12C50		Grease-less		123
Handle Length	Guide only	Closed 620mm	Guide only	Open 820mm
KA11C50	Fleet Master	Grease-able	WIDE 1015mm	154
KA13C50		Grease-less		146
Handle Length	Guide only	Closed 670mm	Guide only	Open 870mm

Note: These 5th Wheels can be supplied with a range of attachments.

- Base plates (drilled and undrilled)
- Ball Races (60mm & 90mm, Ø1000mm, Ø1100mm)
- Half moon plates

Mount Height (H) (mm)		α	D-Rating (kN)	Vertical Load (kg)	King Pin Size (mm)	CRN CTA
Grease-able	Grease-less					
128	132	11°	195	25,000	50	27120 CTA-027120
148	152	11°				
166	170	15°				
196	200	18°				
218	222	18°				



FUWA K HITCH (Australia) Pty Ltd

ABN 54 078 731 209

Head Office

Melbourne

13-21 Bliss Court
Derrimut VIC 3026
Tel. 03 9369 0000
Fax. 03 9369 0100

Queensland

41 Moreton
Heathwood Qld 4110
Tel. 07 3372 2223
Fax. 07 3372 1022

Perth

5 Freight Road
Kenwick WA 6107
Tel. 08 9350 6470
Fax. 08 9350 6570

KA..C SERVICE INFORMATION

BULLETIN NUMBER	TOPIC	DESCRIPTION
KPW-002-0110	Warranty	Limitation of Liabilities
KPW-004-0110		LGL's
KPM-001-0110		Claim Form
KPA-005-0310	Installation	Foot Attachment
KPM-007-0310		Installation & Service Bulletin
KPS-005-1012	Parts	Parts View
KPM-007-0310	Maintenance	Installation & Service Bulletin

Bulletins:

All Bulletins are on: www.khitch.com.au

...or call FKH at your nearest location.

