



# FUWA K HITCH (Australia) Pty Ltd

ABN 54 078 731 209

**Head Office  
Melbourne**  
13-21 Bliss Court  
Derrimut VIC 3026  
Tel. 03 9369 0000  
Fax. 03 9369 0100

**Queensland**  
41 Moreton  
Heathwood Qld 4110  
Tel. 07 3372 2223  
Fax. 07 3372 1022

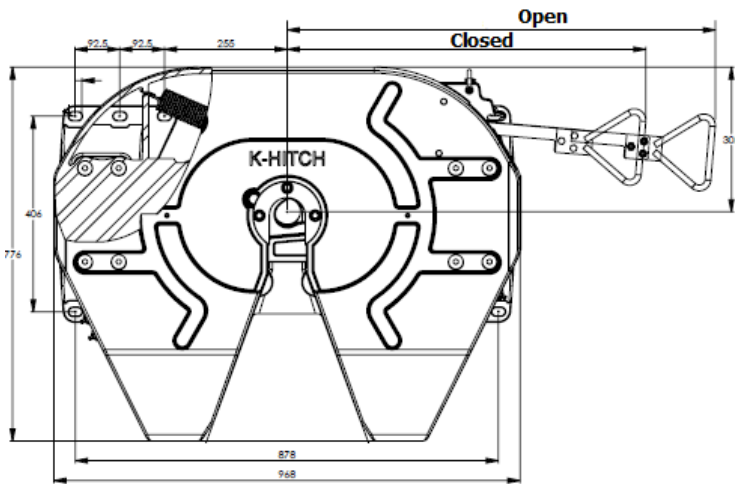
**Perth**  
5 Freight Road  
Kenwick WA 6107  
Tel. 08 9350 6470  
Fax. 08 9350 6570

## SALES SPEC SHEET

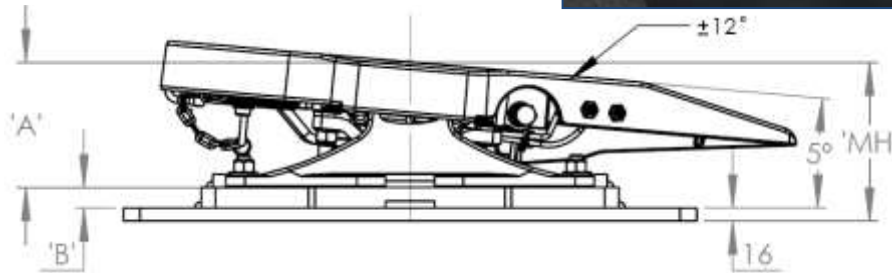
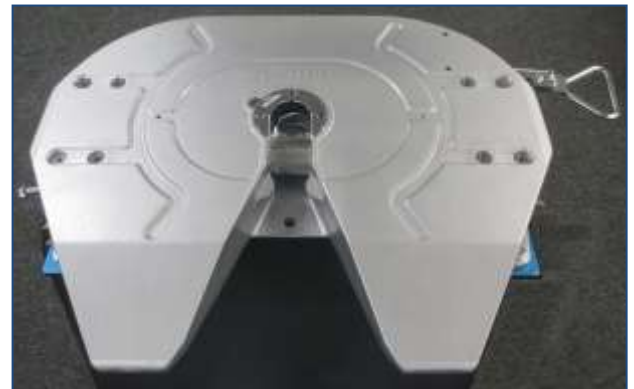
# 5<sup>th</sup> Wheel KC..C

The FUWA K Hitch KC 5<sup>th</sup> wheel range is a **SINGLE-PIECE JAW** design, cast from high quality Iron.

The very solid and durable construction is ideally suited for any typical on/off highway application including B-Doubles and Road Trains.



Handle Length	Guide only	Closed 715mm	Open 890mm
---------------	------------	--------------	------------



**Note:** The KC 5<sup>th</sup> wheels can be supplied with a range of attachments.

Flat 16mm base plates (drilled and undrilled),

Ball races (60mm & 90mm, Ø1000mm, Ø1100mm),

Model Number	Model Name	Mount Height (MH) (mm)	D-Rating (kN)	Vertical Load (kg)	King Pin Size (mm)	Weight (kg) with feet and spacer, no base plate.	CRN CTA
KC10C50	Fleet Master Cast	166 (150+16)	200	20,000	50	148 to 236	47568 CTA-047568
		191* (175+16)					
		201 (185+16)					
		226* (210+16)					
		266 (250+16)					
		291* (275+16)					
316**(300+16)							

**Note1:** \* 1 x 25mm spacer block. \*\* 2 x 25mm spacer blocks

**Note2:** MH will change by adding a ball race, check with engineering what combination is available and for the final MH.



# FUWA K HITCH (Australia) Pty Ltd

ABN 54 078 731 209

**Head Office  
Melbourne**  
13-21 Bliss Court  
Derrimut VIC 3026  
Tel. 03 9369 0000  
Fax. 03 9369 0100

**Queensland**  
41 Moreton  
Heathwood Qld 4110  
Tel. 07 3372 2223  
Fax. 07 3372 1022

**Perth**  
5 Freight Road  
Kenwick WA 6107  
Tel. 08 9350 6470  
Fax. 08 9350 6570

## KC..C SERVICE INFORMATION

<b>BULLETIN NUMBER</b>	<b>TOPIC</b>	<b>DESCRIPTION</b>
KPW-002-0110	Warranty	Limitation of Liabilities
KPW-004-0110		LGL's
KPM-001-0110		Claim Form
KPM-001-0915	Installation	Installation & Service Bulletin
KPS-001-0414	Parts	Parts View
KPM-001-0915	Maintenance	Installation & Service Bulletin

### **Bulletins:**

All Bulletins are on: [www.khitch.com.au](http://www.khitch.com.au)

...or call FKH at your nearest location.

