



FUWA K HITCH (Australia) Pty Ltd

ABN 54 078 731 209

Head Office

Melbourne

13-21 Bliss Court
Derrimut VIC 3026
Tel. 03 9369 0000
Fax. 03 9369 0100

Queensland

41 Moreton
Heathwood Qld 4110
Tel. 07 3372 2223
Fax. 07 3372 1022

Perth

5 Freight Road
Kenwick WA 6107
Tel. 08 9350 6470
Fax. 08 9350 6570

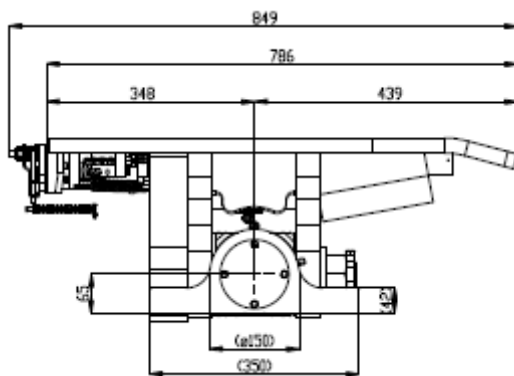
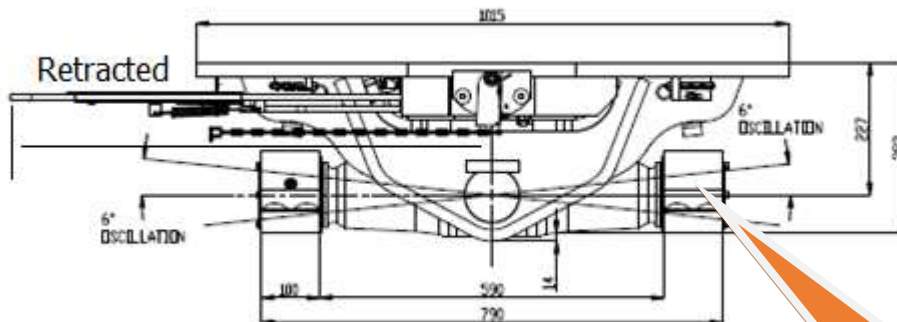
SALES SPEC SHEET

5th Wheel KD

The FUWA K Hitch KD 5th Wheel is a **TWO-PIECE JAW** design, fully fabricated from high quality steel.

The KD is a non-adjustable 90mm jaw design, featuring a heavy-duty double oscillating trunnion design, supported by bolt-on feet (bronze bushes throughout).

This 5th Wheel is design for mining applications.



Double Oscillating

Model Number	Model Name	Top Lube	Top Width	Weight (kg - c/w Feet)
KD15E90	Komodo50	Grease-able	1015mm	372
Handle Length	Guide only	Retracted 830mm	Guide only	Extended 920mm

Mount Height (mm)	King Pin Size (mm)	Vertical Load (kg)	D-Rating (kN)	CRN
292	90	50,000	360	Off-Hwy ONLY



FUWA K HITCH (Australia) Pty Ltd

ABN 54 078 731 209

**Head Office
Melbourne**
13-21 Bliss Court
Derrimut VIC 3026
Tel. 03 9369 0000
Fax. 03 9369 0100

Queensland
41 Moreton
Heathwood Qld 4110
Tel. 07 3372 2223
Fax. 07 3372 1022

Perth
5 Freight Road
Kenwick WA 6107
Tel. 08 9350 6470
Fax. 08 9350 6570

KD SERVICE INFORMATION

BULLETIN NUMBER	TOPIC	DESCRIPTION
KPW-002-0110	Warranty	Limitation of Liabilities
KPW-004-0110		LGL's
KPM-001-0110		Claim Form
KPA-001-0312	Installation	Foot Attachment
KPM-007-0310		Installation & Service Bulletin
KPS-004-1012	Parts	Parts View
KPM-007-0310	Maintenance	Installation & Service Bulletin

Bulletins:

All Bulletins are on: www.khitch.com.au

...or call FKH at your nearest location.

