



FUWA K HITCH (Australia) Pty Ltd

ABN 54 078 731 209

Head Office

Melbourne

13-21 Bliss Court
Derrimut VIC 3026
Tel. 03 9369 0000
Fax. 03 9369 0100

Queensland

41 Moreton
Heathwood Qld 4110
Tel. 07 3372 2223
Fax. 07 3372 1022

Perth

5 Freight Road
Kenwick WA 6107
Tel. 08 9350 6470
Fax. 08 9350 6570

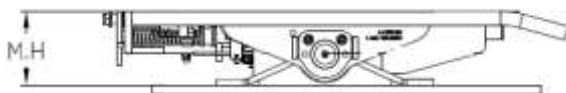
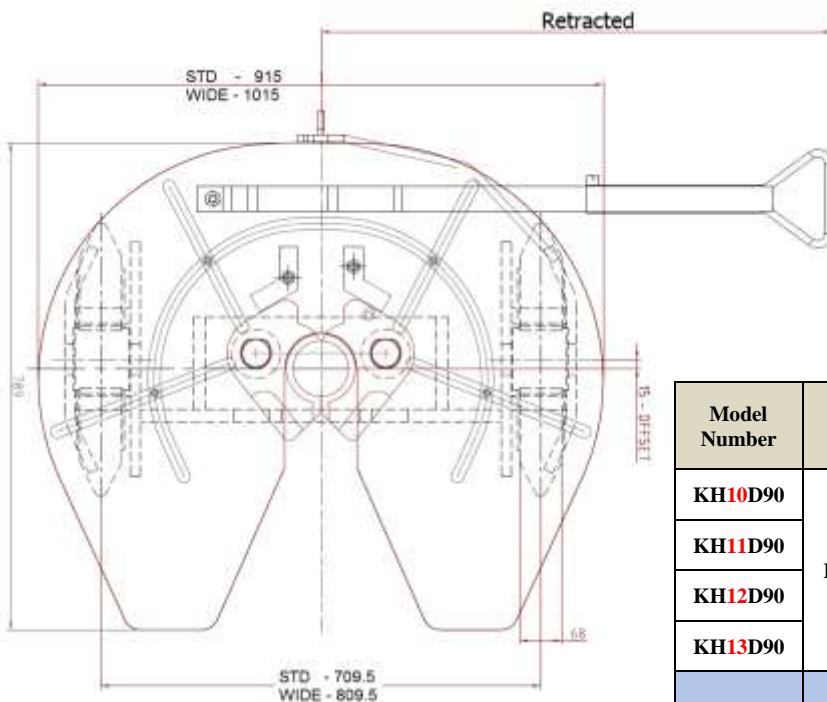
SALES SPEC SHEET

5TH WHEEL KH..D

The FUWA K Hitch KH 5th Wheel range is a **TWO-PIECE JAW** design, fully fabricated from high quality steel.

They are a non-adjustable design, available in four basic tops.

The simple and positive connectability of the two-piece jaw design is renowned for its robustness in tough applications.



M.H = MOUNT HEIGHT

| Model Number | Model Name | Top Lube | Top Width | Weight (kg – no Feet) |
|---------------|------------|-----------------|-------------|-----------------------|
| KH10D90 | Road Boss | Grease-able | STD 915mm | 178 |
| KH11D90 | | | WIDE 1015mm | 188 |
| KH12D90 | | Grease-less | STD 915mm | 170 |
| KH13D90 | | | WIDE 1015mm | 180 |
| Handle Length | Guide only | Retracted 780mm | STD 915mm | Extended 870mm |
| | | Retracted 830mm | WIDE 1015mm | Extended 920mm |

Note: These 5th Wheels can be supplied with a range of attachments.

- Base plates (drilled and undrilled)
- Ball Races (60mm & 90mm, Ø1000mm & Ø1100mm)
- Half moon plates, full moon plates

| Mount Height (mm) | | D-Rating (kN) | Vertical Load (kg) | King Pin Size (mm) | CRN CTA |
|-------------------|-------------|---------------|--------------------|--------------------|---------------------|
| Grease-able | Grease-less | | | | |
| 132 | 136 | 260 | 36,000 | 90 | 29119 CTA-029119 |
| 152 | 156 | | | | |
| 170 | 174 | | | | |
| 200 | 204 | | | | |
| 222 | 226 | | | | |



FUWA K HITCH (Australia) Pty Ltd

ABN 54 078 731 209

**Head Office
Melbourne**
13-21 Bliss Court
Derrimut VIC 3026
Tel. 03 9369 0000
Fax. 03 9369 0100

Queensland
41 Moreton
Heathwood Qld 4110
Tel. 07 3372 2223
Fax. 07 3372 1022

Perth
5 Freight Road
Kenwick WA 6107
Tel. 08 9350 6470
Fax. 08 9350 6570

KH..D SERVICE INFORMATION

| BULLETIN NUMBER | TOPIC | DESCRIPTION |
|------------------------|--------------|---------------------------------|
| KPW-002-0110 | Warranty | Limitation of Liabilities |
| KPW-004-0110 | | LGL's |
| KPM-001-0110 | | Claim Form |
| KPA-005-0310 | Installation | Foot Attachment |
| KPM-007-0310 | | Installation & Service Bulletin |
| KPS-004-1012 | Parts | Parts View |
| KPM-007-0310 | Maintenance | Installation & Service Bulletin |

Bulletins:

All Bulletins are on: www.khitch.com.au

...or call FKH at your nearest location.

