



FUWA K HITCH (Australia) Pty Ltd

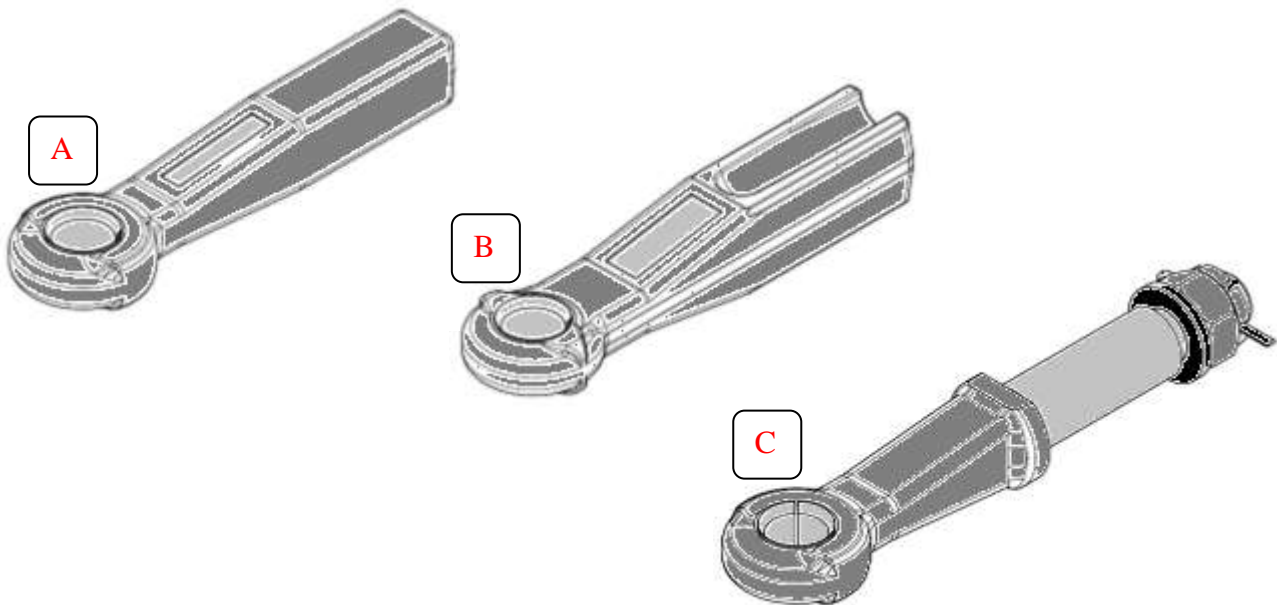
ABN 54 078 731 209

**Head Office
Melbourne**
13-21 Bliss Court
Derrimut VIC 3026
Tel. 03 9369 0000
Fax. 03 9369 0100

Queensland
41 Moreton
Heathwood Qld 4110
Tel. 07 3372 2223
Fax. 07 3372 1022

Perth
5 Freight Road
Kenwick WA 6107
Tel. 08 9350 6470
Fax. 08 9350 6570

SALES SPEC SHEET DRAWBAR EYES



The **FUWA K HITCH** range of drawbar eyes are guaranteed to be of highest quality and reliability.

They meet **DIN EN ISO 9001:2015** certification and are compliant with the **Australian Standards**.

This defines guidelines and regulations, that companies have to fulfill in order to be verified.

Model	Part No	Drawing No	CRN CTA	D rating
A-WELD ON SQUARE TYPE	FM50W01	993031	44610 CTA-044610	190kN
B-WELD ON I-BEAM TYPE	FM50W05	993141	44611 CTA-044611	314kN
C-BOLT ON BLOCK TYPE	FM50R10	993583	44612 CTA-044612	250kN



FUWA K HITCH (Australia) Pty Ltd

ABN 54 078 731 209

Head Office

Melbourne

13-21 Bliss Court
Derrimut VIC 3026
Tel. 03 9369 0000
Fax. 03 9369 0100

Queensland

41 Moreton
Heathwood Qld 4110
Tel. 07 3372 2223
Fax. 07 3372 1022

Perth

5 Freight Road
Kenwick WA 6107
Tel. 08 9350 6470
Fax. 08 9350 6570

Drawbar Eye SERVICE INFORMATION

BULLETIN NUMBER	TOPIC	DESCRIPTION
KPW-002-0110	Warranty	Limitation of Liabilities
KPW-004-0110		LGL's
KPM-001-0110		Claim Form
KPM-001-0912 4201603-0304.pdf	Installation	Installation, Maintenance & Service Bulletin NHVR-Vehicle-Standards-Guide-VSG4
KPS-002-0113	Parts	Parts View
201603-0304.pdf	Maintenance	NHVR-Vehicle-Standards-Guide-VSG4

Bulletins:

All Bulletins are on: www.khitch.com.au

...or call FKH at your nearest location.

