



FUWA K HITCH (Australia) Pty Ltd

ABN 54 078 731 209

Head Office

Melbourne

13-21 Bliss Court
Derrimut VIC 3030
Tel. 03 9369 0000
Fax. 03 9369 0100

Queensland

41 Moreton
Heathwood Qld 4110
Tel. 07 3372 2223
Fax. 07 3372 1022

Perth

77B Kurnall Road
Welshpool WA 6106
Tel. 08 9350 6470
Fax. 08 9350 6570

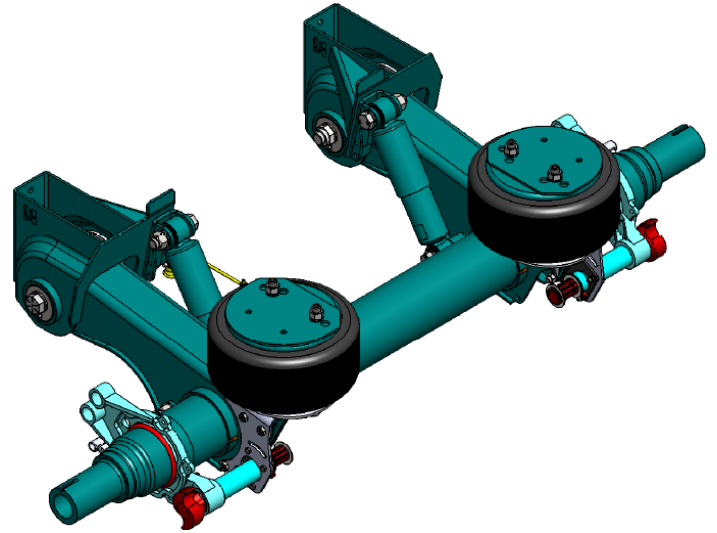
SALES SPEC SHEET

AXLE & AIR SUSPENSION MODULE KIS

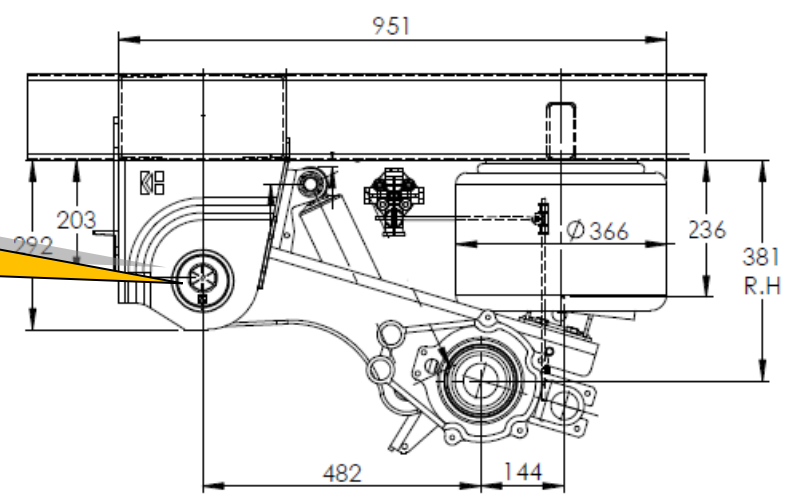
The FUWA K Hitch **fabricated** axle & air suspension module is designed for the tare weight conscious **On-highway** operator.

The **KIS** modules are manufacture with the suspension trailing arm permanently attached to a 146mm O/D axle tube. This coupled with the **ConMet** Alloy wheel end system, offering low tare weight and ease of maintenance.

Note: KIS is fitted with the standard (wide) pivot bush.



Now with **5-year warranty** on the pivot bush!



Suspension Model	Capacity (t)	Axle mounting	Ride Heights (mm)		Weight (kg)	Wheel end
			nominal	min-max		
KIS252T	11	OS	343	337-400	433kg**	Pre-set Drum 10x285
			356	337-400		
			381	361-400		
			406	387-451		
			432	413-451		
			457	438-502		
483	464-502					

** Complete assembly, hangers, shocks and wheel ends (Depending on the ride height).



FUWA K HITCH (Australia) Pty Ltd

ABN 54 078 731 209

Head Office

Melbourne

13-21 Bliss Court
Derrimut VIC 3030
Tel. 03 9369 0000
Fax. 03 9369 0100

Queensland

41 Moreton
Heathwood Qld 4110
Tel. 07 3372 2223
Fax. 07 3372 1022

Perth

77B Kurnall Road
Welshpool WA 6106
Tel. 08 9350 6470
Fax. 08 9350 6570

KI SERVICE INFORMATION

BULLETIN NUMBER	TOPIC	DESCRIPTION
KPW-002-0110	Warranty	Limitation of Liabilities
KPW-004-0110		LGL's
KPM-001-0110		Claim Form
KPM-001-0214	Installation	IM&S Bulletin (Std. Pivot Bush)
KPS-002-0214	Parts	Parts View (Std. Pivot Bush)
KPM-001-0214	Maintenance	IM&S Bulletin (Std. Pivot Bush)

Bulletins:

All Bulletins are on: www.khitch.com.au

...or call FKH at your nearest location.

