



FUWA K HITCH (Australia) Pty Ltd

ABN 54 078 731 209

Head Office

Melbourne

13-21 Bliss Court
Derrimut VIC 3030
Tel. 03 9369 0000
Fax. 03 9369 0100

Queensland

41 Moreton
Heathwood Qld 4110
Tel. 07 3372 2223
Fax. 07 3372 1022

Perth

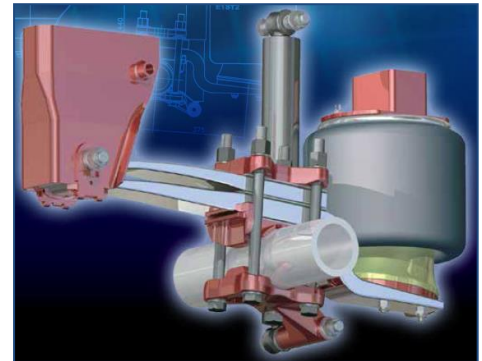
77B Kurnall Road
Welshpool WA 6106
Tel. 08 9350 6470
Fax. 08 9350 6570

SALES SPEC SHEET

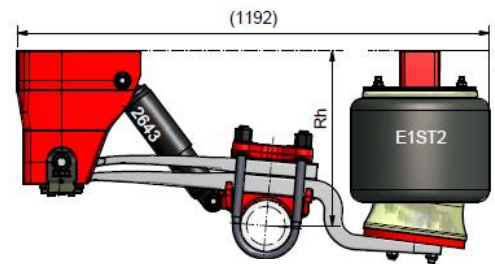
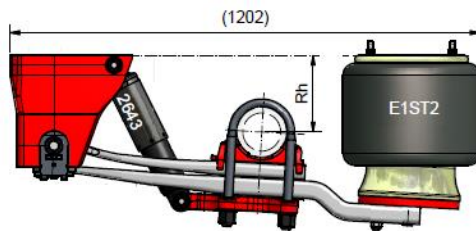
AIR SUSPENSION HEAVY-DUTY



The **WEWELER** air suspension is proven design comprising of a flexible, high-strength forged spring steel trailing arm clamp to standard Ø127mm axles of any type wheel end configuration. The narrow hanger footprint allows for easy connection to chassis and also features an integrated shock absorber mounting.

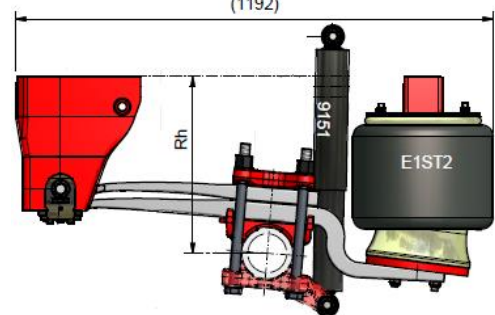
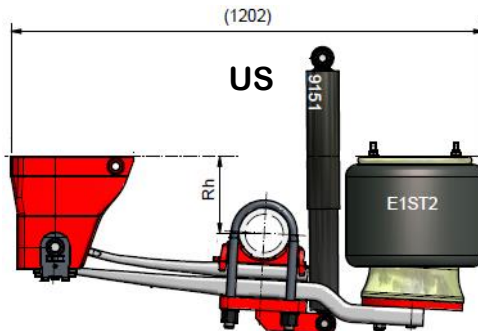


Front Mount



OS

Rear Mount



Suspension Model	Capacity (t)	Axle mounting	Nominal Rh*	Rh Range*	System Mass** (kg)	RF Shock absorbers available
HEAVY-DUTY	11	US	200	170-210	209	Yes For rear mount only
			245	215-260	215	
			275	240-285	223	
			285	255-295	242	
			300	270-310	226	
	11	OS	315	285-325	245	NA
			395	365-405	214	
			420	390-430	216	
			445	415-455	219	

Note: * The Nominal RH is the ideal RH for a given assembly. Check with FKH engineering 1st when using a RH from the Range.
** The System Mass is depending on the ride height and if that value is critical check with FKH 1st.



FUWA K HITCH (Australia) Pty Ltd

ABN 54 078 731 209

Head Office

Melbourne

13-21 Bliss Court

Derrimut VIC 3030

Tel. 03 9369 0000

Fax. 03 9369 0100

Queensland

41 Moreton

Heathwood Qld 4110

Tel. 07 3372 2223

Fax. 07 3372 1022

Perth

77B Kurnall Road

Welshpool WA 6106

Tel. 08 9350 6470

Fax. 08 9350 6570

HEAVY-DUTY SERVICE INFORMATION

BULLETIN NUMBER	TOPIC	DESCRIPTION
KPW-002-0110	Warranty	Limitation of Liabilities
KPW-004-0110		LGL's
KPM-001-0110		Claim Form
1.2-14-07-2010 WM-A22 WM-C-DOC WM-A20	Installation	VDL Weweler Maintenance & Installation Manual Welding Instructions
KPS-003-1012 KPS-001-1113	Parts	Parts View
1.2-14-07-2010	Maintenance	VDL Weweler Maintenance & Installation Manual

Bulletins:

All Bulletins are on: www.khitch.com.au

...or call FKH at your nearest location.

