



# FUWA K HITCH (Australia) Pty Ltd

ABN 54 078 731 209

**Head Office**

**Melbourne**

13-21 Bliss Court

Derrimut VIC 3030

Tel. 03 9369 0000

Fax. 03 9369 0100

**Queensland**

41 Moreton

Heathwood Qld 4110

Tel. 07 3372 2223

Fax. 07 3372 1022

**Perth**

77B Kurnall Road

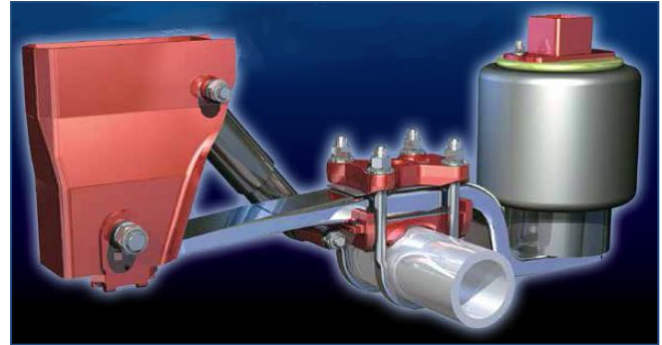
Welshpool WA 6106

Tel. 08 9350 6470

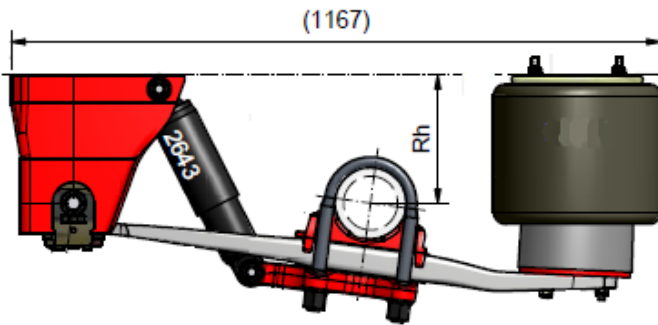
Fax. 08 9350 6570

## SALES SPEC SHEET

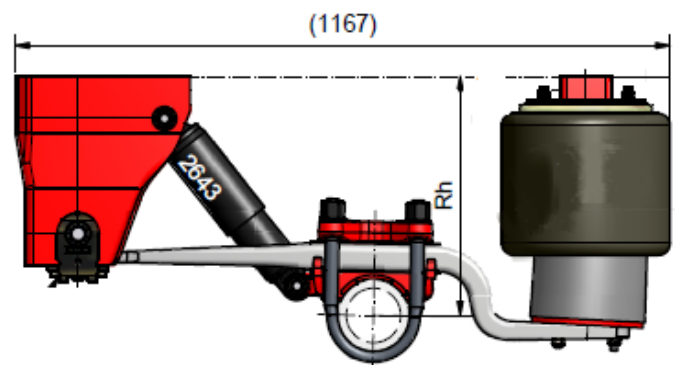
# AIR SUSPENSION ULTRA LITE



The **WEWELER** air suspension is proven design comprising of a flexible, high-strength forged spring steel trailing arm clamp to standard Ø127mm axles of any type wheel end configuration. The narrow hanger footprint allows for easy connection to chassis and also features an integrated shock absorber mounting.



**US**



**OS**

Suspension Model	Capacity (t)	Axle mounting	Nominal Rh*	Rh Range*	System Mass** (kg)	RF Shock absorbers available***
ULTRA LITE	9	US	250 325	220-280 295-355	156-165	Yes For front mount only
		OS	375 400 425 450 475	345-405 370-430 395-455 420-480 445-505	155-168	Yes For front mount only

Note: \* The Nominal RH is the ideal RH for a given assembly. Check with FKH engineering 1<sup>st</sup> when using a RH from the Range.  
 \*\* The System Mass is depending on the ride height and if that value is critical check with FKH 1st.  
 \*\*\* The rear mount shock option is available, but it is not RF



# FUWA K HITCH (Australia) Pty Ltd

ABN 54 078 731 209

## Head Office

### Melbourne

13-21 Bliss Court  
Derrimut VIC 3030  
Tel. 03 9369 0000  
Fax. 03 9369 0100

## Queensland

41 Moreton  
Heathwood Qld 4110  
Tel. 07 3372 2223  
Fax. 07 3372 1022

## Perth

77B Kurnall Road  
Welshpool WA 6106  
Tel. 08 9350 6470  
Fax. 08 9350 6570

## ULTRA LITE SERVICE INFORMATION

BULLETIN NUMBER	TOPIC	DESCRIPTION
KPW-002-0110	Warranty	Limitation of Liabilities
KPW-004-0110		LGL's
KPM-001-0110		Claim Form
1.2-14-07-2010 WM-A22 WM-C-DOC WM-A20	Installation	VDL Weweler Maintenance & Installation Manual Welding Instructions
KPS-002-1012	Parts	Parts View
1.2-14-07-2010	Maintenance	VDL Weweler Maintenance & Installation Manual

### Bulletins:

All Bulletins are on: [www.khitch.com.au](http://www.khitch.com.au)

...or call FKH at your nearest location.

