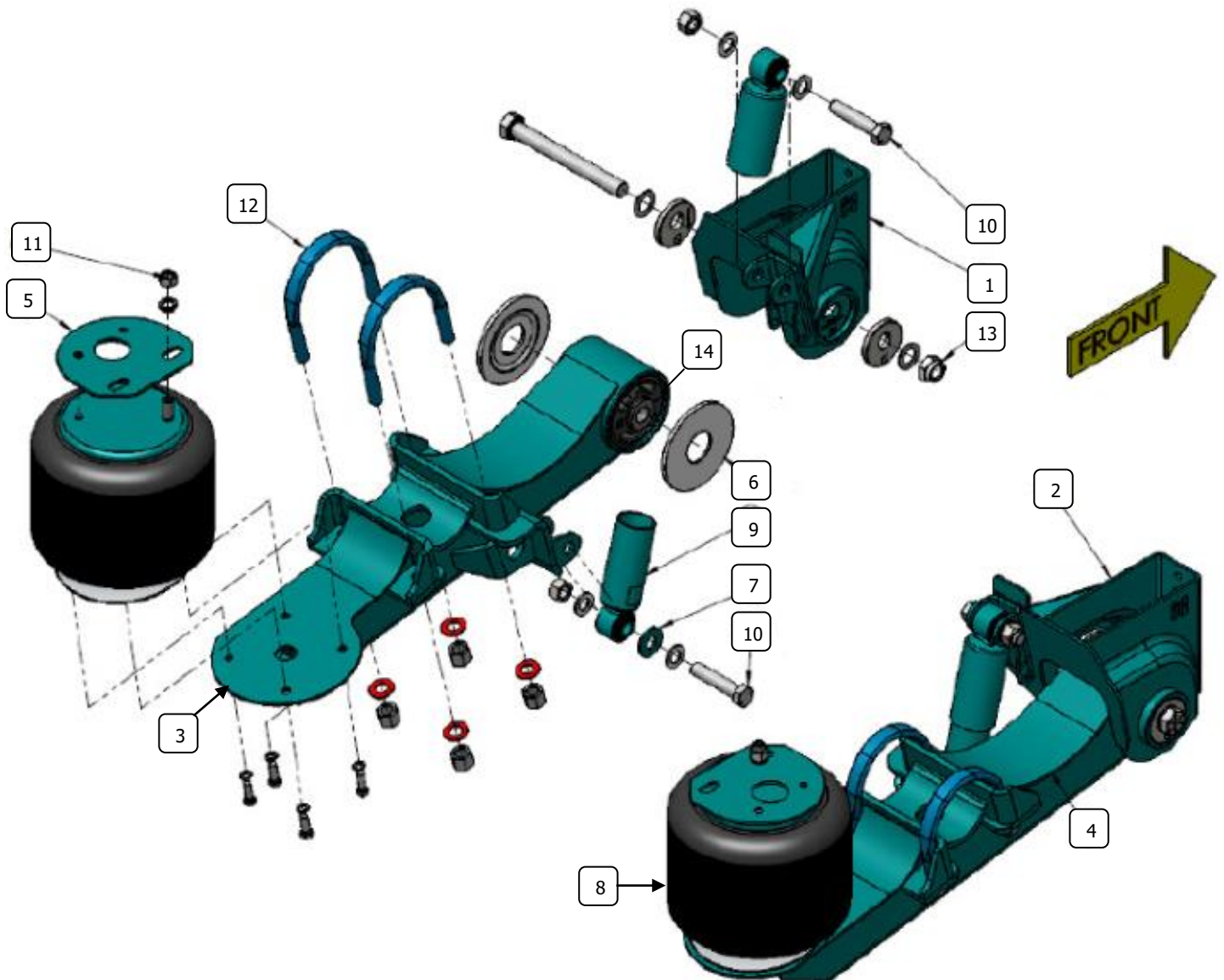


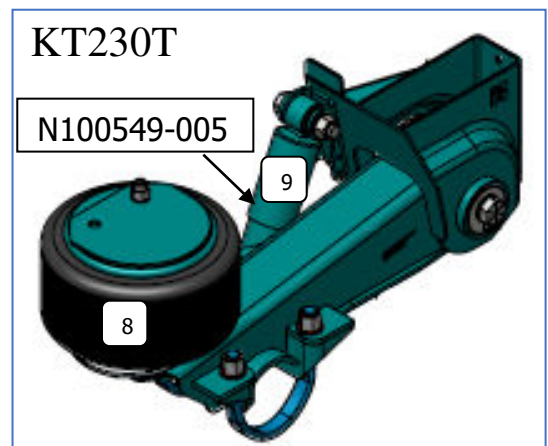
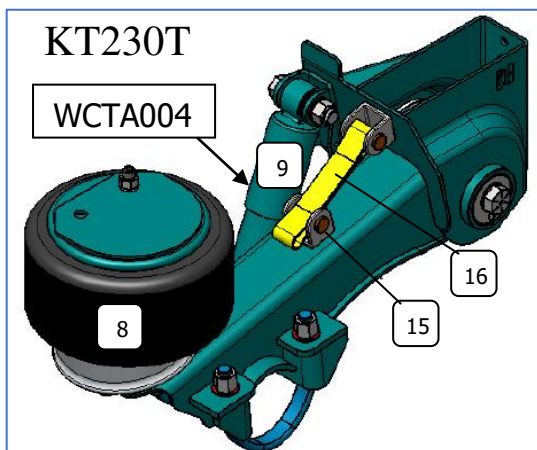
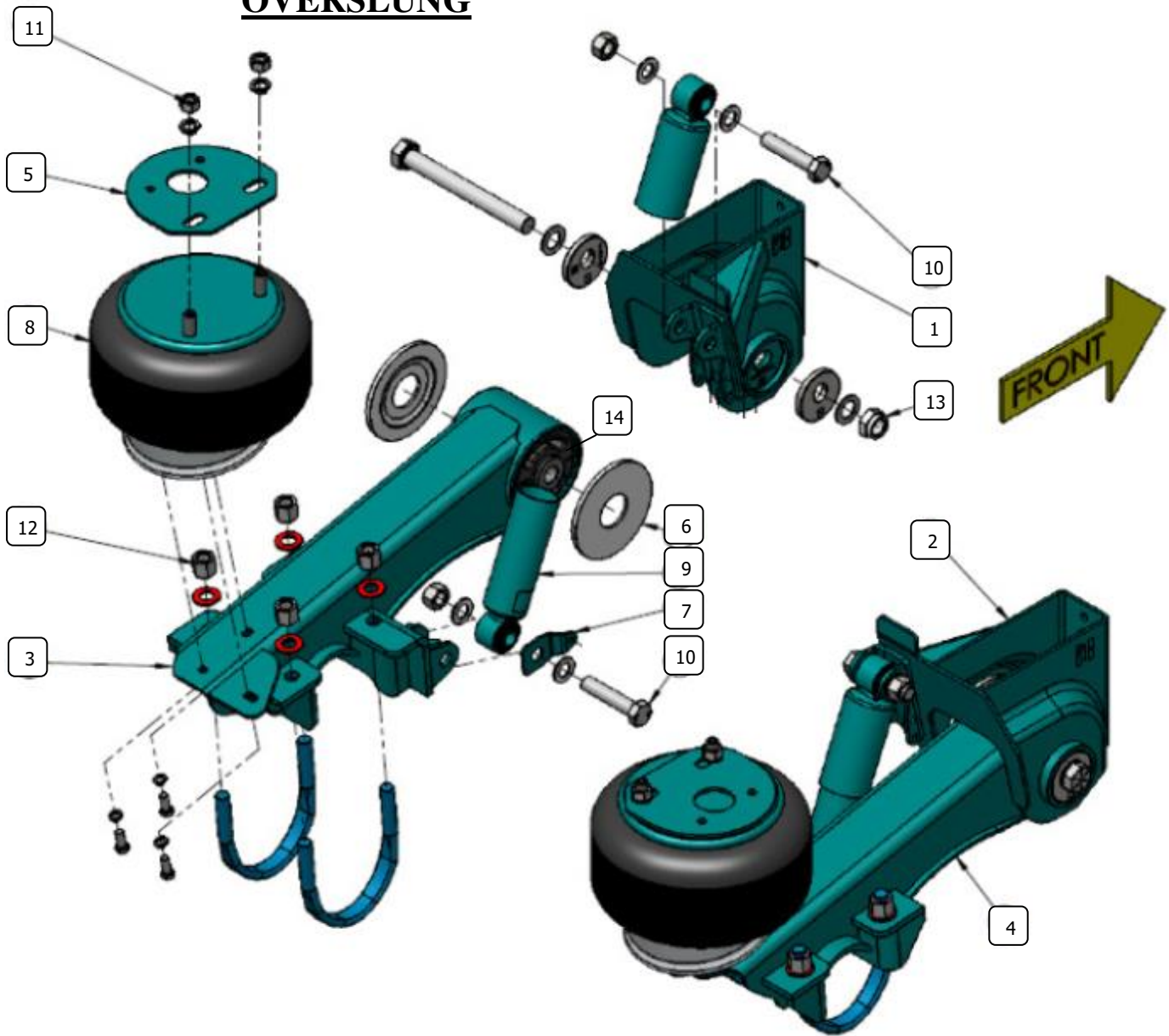
KT AIR SUSPENSION

UNDERSLUNG



PARTS VIEW

OVERSLUNG



PARTS VIEW

Ref No.	PART No.	DESCRIPTION	QTY PER SUSPENSION	APPLICATION				
				UNDERSLUNG		OVERSLUNG		
				KT250U 11t	KT300U 13t	KT230T 10t	KT250T 11t	KT300T 13t
1	SEE HANGER CHART	HANGER LH	1	SEE HANGER CHART				
2		HANGER RH	1					
3	SEE T/A CHART	TRAILING ARM LH	1	SEE TRAILING ARM CHART				
4		TRAILING ARM RH	1					
5	N100516-XXX	AIRBAG PLATE	2	X	X	X	X	X
6	N100511-001	WEAR PAD – HANGER	4	X	X	X	X	X
7	N100546-001	SPACER- SHOCK MOUNT BOLT	2	X	X			
7	N100515-001	BRACKET – HCV	1			X	X	X
8	N100521-003	AIR BAG 7.5"-14"	2	X				
8	N100521-002	AIR BAG 5.5"-6.5"	2	X				
8	N100521-007	AIR BAG	2		X			
8	N100521-001	AIR BAG	2				X	
8	N100521-006	AIR BAG	2					X
8	N100521-013	AIR BAG 356/483				X		
9	WCTA004	SHOCK ABSORBER RF 7.5"-19"	2	X			X	
9	N100549-005	SHOCK ABSORBER RF 14"-19"	2			X		
9	N100550-004	SHOCK ABSORBER 7.5"- 19"	2	X	X		X	
9	N100550-003	SHOCK ABSORBER 5.5"-6.5"	2	X	X			
9	N100550-005	SHOCK ABSORBER	2					X
10	N100518-001	FASTENER KIT – SHOCK ABSO.	4	X	X	X	X	X
11	N100547-002	FASTENER KIT – AIR BAG	2	X	X	X	X	X
12	N100520-001	U – BOLT KIT	4	X	X	X	X	X
13	N100519-001	PIVOT BOLT KIT	2	X	X	X	X	X
14	N100508-002	BUSH – TRAILING ARM	2	X	X	X	X	X
15	KH17159	U-BRACKET	4			X		
16	N100608-001	STRAP KIT	1			X		
NS	N100612-001	PIVOT BUSH KIT Incl. Items 13, 6, bush, assembly oil	2	Y	Y	Y	Y	Y
NS	N100837-001	ASSEMBLY OIL 60ml						

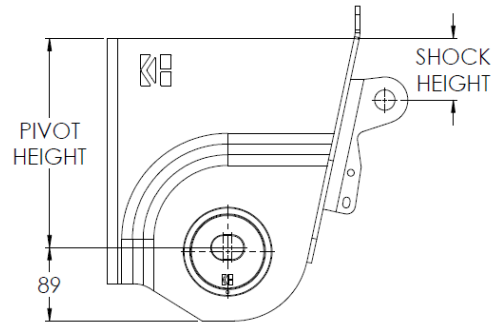
Note: X Standard

NS Not Shown

Y Replacement Parts Kit

PARTS VIEW

HANGER CHART



Ref No.	PART No.	DESCRIPTION				APPLICATION	
		ORIENTATION	RIDE HEIGHT in mm	PIVOT HEIGHT in mm	SHOCK HEIGHT in mm	10t/11t	13t
						UNDERSLUNG	
1	N100501-001	LH	140 & 165	203	26	X	X
2	N100501-002	RH	140 & 165	203	26	X	X
1	N100501-007	LH	230 & 254	279.4	35	X	X
2	N100501-008	RH	230 & 254	279.4	35	X	X
1	N100501-009	LH	279 & 305	304.8	70	X	X
2	N100501-010	RH	279 & 305	304.8	70	X	X
1	N100501-013	LH	330 & 356	355.6	121	X	X
2	N100501-014	RH	330 & 356	355.6	121	X	X
1	N100501-015	LH	190 & 203	254	19	X	X
2	N100501-016	RH	190 & 203	254	19	X	X

		ORIENTATION	RIDE HEIGHT in mm	PIVOT HEIGHT in mm	SHOCK HEIGHT in mm	OVERSLUNG	
						10t/11t	13t
1	N100501-003	LH	356 & 381	203	42	X	
2	N100501-004	RH	356 & 381	203	42	X	
1	N100501-005	LH	406 & 432	254	75	X	
2	N100501-006	RH	406 & 432	254	75	X	
1	N100501-007	LH	406 & 432	279.4	35		X
2	N100501-008	RH	406 & 432	279.4	35		X
1	N100501-009	LH	457 & 483	304.8	70		X
2	N100501-010	RH	457 & 483	304.8	70		X
1	N100501-011	LH	457 & 483	279.4	118	X	
2	N100501-012	RH	457 & 483	279.4	118	X	
1	N100501-015	LH	356 & 381	254	19		X
2	N100501-016	RH	356 & 381	254	19		X

PARTS VIEW

TRAILING ARM ASSEMBLY (INCLUDING THE BUSH)

Ref No.	PART No.	DESCRIPTION			APPLICATION	
		ORIENTATION	RIDE HEIGHT in mm	BUSH INSTALLATION ANGLE	10t/11t	13t
					UNDERSLUNG	
3	N100529-001	LH	140 to 230	6°	X	
4	N100529-002	RH	140 to 230	6°	X	
3	N100529-003	LH	254 to 356	12°	X	
4	N100529-004	RH	254 to 356	12°	X	
3	N100529-041	LH	140 to 230	6°		X
4	N100529-042	RH	140 to 230	6°		X
3	N100529-043	LH	254 to 356	12°		X
4	N100529-044	RH	254 to 356	12°		X

		ORIENTATION	RIDE HEIGHT in mm	BUSH INSTALLATION ANGLE	OVERSLUNG	
					10t/11t	13t
3	N100528-001	LH	356 to 483	12°	X	
4	N100528-002	RH	356 to 483	12°	X	
3	N100528-041	LH	356 to 483	9°		X
4	N100528-042	RH	356 to 483	9°		X