

HUB & DRUM ASS'Y
BRAKE SHOE KIT
DUST COVER
REFER TO KPS-001-1020

TABLE #1:

ITEM NO.	PART NUMBER	DESCRIPTION	QTY.
1	SEE TABLE #2	WINGLESS HANGER ASSY	2
2	N100813-101	11T BEAM ARM S-CAM ASSEMBLY	1
3	SEE TABLE #2	SHOCK MOUNT TOP PLATE ASSY - LH	1
4	SEE TABLE #2	SHOCK MOUNT TOP PLATE ASSY - RH	1
5	N100511-001	WEAR PAD - HANGER	4
6	SEE TABLE #2	AIRSPRING	2
7	SEE TABLE #2	SHOCK ABSORBER	2
8	N100518-001	VERTICAL SHOCK HARDWARE PACK	2
9	N100519-001	PIVOT BOLT KIT	2
10	N100547-001	AIRBAG FASTENER KIT	2
11	N100572-001	SHOCK MOUNT ASSY - KIS U/S LH	1
12	N100572-002	SHOCK MOUNT ASSY - KIS U/S RH	1
13	N100515-008	BRACKET - LEVEL VALVE ROD CONNECTION	1
14	N100534-002	HCV LINKAGE BRACKET MOUNTING KIT	2
15	N100515-102	BRACKET - HCV KIS252U	1

* HCV, BOOSTER & SLACK ADJUSTER FOR SHOWN PURPOSE ONLY
** 10x285 WHEEL END FOR SHOWN PURPOSE ONLY

NOTES:

- LOAD CAPACITY:
 - SUSPENSION 11T AT GROUND
 - AXLE 11T AT GROUND
- READ MAINTENANCE & INSTALLATION MANUAL BEFORE INSTALLATION
- IT IS THE RESPONSIBILITY OF THE INSTALLER TO ENSURE PROPER VEHICLE FRAME DESIGN IN AREA OF SUSPENSION ATTACHMENT
- CROSSMEMBERS ARE NEEDED AT HANGER AND AIRBAG LOCATIONS. FRAME SHOWN ON SHEET 2 FOR REFERENCE PURPOSES ONLY. FRAME DESIGN IS THE RESPONSIBILITY OF THE INSTALLER
- WHEELS/TYRES/AXLE FOR DISPLAY PURPOSES ONLY
- 11R22.5 TYRES USED AS REFERENCE
- SHOCK ABSORBER MOUNTING BOLTS MUST BE TORQUED WHEN SUSPENSION IS AT RIDE HEIGHT CONDITION

- CLEARANCE SPECS
- 25mm MINIMUM CLEARANCE MUST BE MAINTAINED AROUND AIRSPRING WHEN IT IS AT MAXIMUM DIAMETER
 - 25mm MINIMUM CLEARANCE IS REQUIRED BETWEEN TOP OF TYRE AND BOTTOM OF TRAILER STRUCTURE WHEN AXLE IS IN FULL JOUNCE POSITION
 - 50mm CLEARANCE IS REQUIRED BETWEEN INSIDE OF TYRE AND TRAILER FRAME TO ALLOW FOR LATERAL MOVEMENT

TABLE #2:

RIDE HEIGHT	SUSPENSION ref.	ITEM 1	ITEM 3	ITEM 4	ITEM 6	ITEM 7 *
165(6.5")	N100704-121	N100651-001	N100574-001	N100574-002	N100521-024	N100549-004
190(7.5")	N100705-121	N100651-001	N100574-001	N100574-002	N100521-024	N100549-004
203(8.0")	N100706-121	N100651-001	N100574-003	N100574-004	N100521-025	N100549-003
229(9.0")	N100707-121	N100651-001	N100574-003	N100574-004	N100521-025	N100549-003
254(10")	N100708-121	N100651-001	N100574-003	N100574-004	N100521-026	N100549-003
305(12.0")	N100710-121	N100651-002	N100574-005	N100574-006	N100521-026	N100549-003
356(14.0")	N100712-121	N100651-003	N100574-007	N100574-008	N100521-026	N100549-003
381(15.0")	N100713-121	N100651-003	N100574-007	N100574-008	N100521-026	N100549-003
406(16.0")	N100714-121	N100651-005	N100574-009	N100574-010	N100521-026	N100549-003
432(17.0")	N100715-121	N100651-005	N100574-009	N100574-010	N100521-026	N100549-003
457(18.0")	N100716-121	N100651-006	N100574-011	N100574-012	N100521-026	N100549-003
483(19.0")	N100717-121	N100651-006	N100574-011	N100574-012	N100521-026	N100549-003

* N100549-003/004 = RFS

**MODEL NUMBER REFER TO KI ORDER FORM KPS-001-1020

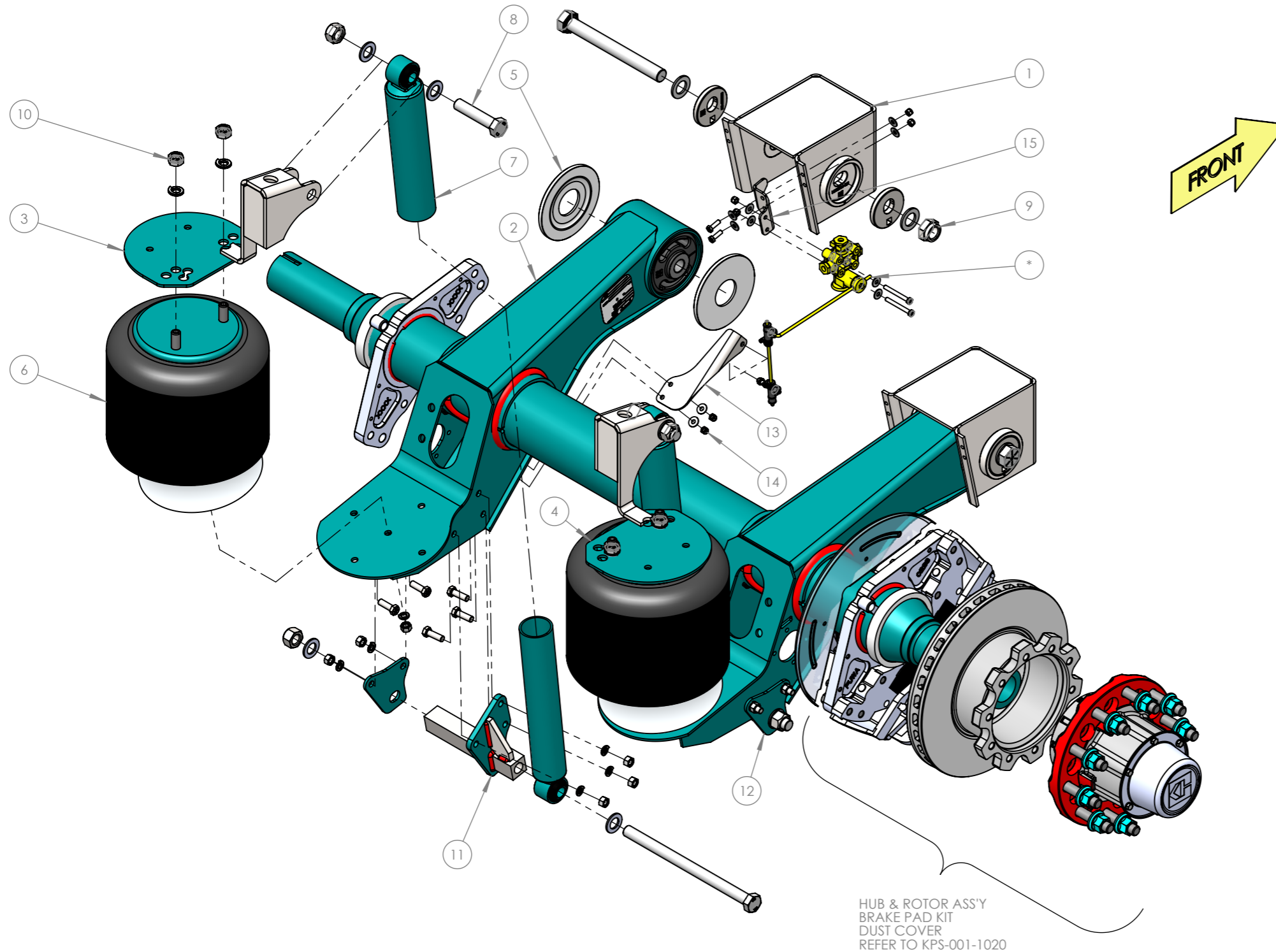


TABLE #1:

ITEM NO.	PART NUMBER	DESCRIPTION	QTY.
1	SEE TABLE #2	WINGLESS HANGER ASSY	2
2	N100813-202	11T BEAM ARM ASSEMBLY - DISC	1
3	SEE TABLE #2	SHOCK MOUNT TOP PLATE ASSY - LH	1
4	SEE TABLE #2	SHOCK MOUNT TOP PLATE ASSY - RH	1
5	N100511-001	WEAR PAD - HANGER	4
6	SEE TABLE #2	AIRSPRING	2
7	SEE TABLE #2	SHOCK ABSORBER	2
8	N100518-001	VERTICAL SHOCK HARDWARE PACK	2
9	N100519-001	PIVOT BOLT KIT	2
10	N100547-001	AIRBAG FASTENER KIT	2
11	N100572-001	SHOCK MOUNT ASSY - KIS U/S LH	1
12	N100572-002	SHOCK MOUNT ASSY - KIS U/S RH	1
13	N100515-008	BRACKET - LEVEL VALVE ROD CONNECTION	1
14	N100534-002	HCV LINKAGE BRACKET MOUNTING KIT	2
15	N100515-102	BRACKET - HCV KIS252U	1

* HCV, BOOSTER CHAMBER FOR SHOWN PURPOSE ONLY
** 10x285 22.5" DISC WHEEL END FOR SHOWN PURPOSE ONLY

NOTES:

1. LOAD CAPACITY:
 - SUSPENSION 11T AT GROUND
 - AXLE 11T AT GROUND
2. READ MAINTENANCE & INSTALLATION MANUAL BEFORE INSTALLATION
3. IT IS THE RESPONSIBILITY OF THE INSTALLER TO ENSURE PROPER VEHICLE FRAME DESIGN IN AREA OF SUSPENSION ATTACHMENT
4. CROSSMEMBERS ARE NEEDED AT HANGER AND AIRBAG LOCATIONS. FRAME SHOWN ON SHEET 2 FOR REFERENCE PURPOSES ONLY. FRAME DESIGN IS THE RESPONSIBILITY OF THE INSTALLER
5. WHEELS/TYRES/AXLE FOR DISPLAY PURPOSES ONLY
6. 11R22.5 TYRES USED AS REFERENCE
7. SHOCK ABSORBER MOUNTING BOLTS MUST BE TORQUED WHEN SUSPENSION IS AT RIDE HEIGHT CONDITION

- CLEARANCE SPECS
8. 25mm MINIMUM CLEARANCE MUST BE MAINTAINED AROUND AIRSPRING WHEN IT IS AT MAXIMUM DIAMETER
 9. 25mm MINIMUM CLEARANCE IS REQUIRED BETWEEN TOP OF TYRE AND BOTTOM OF TRAILER STRUCTURE WHEN AXLE IS IN FULL JOUNCE POSITION
 10. 50mm CLEARANCE IS REQUIRED BETWEEN INSIDE OF TYRE AND TRAILER FRAME TO ALLOW FOR LATERAL MOVEMENT

TABLE #2:

RIDE HEIGHT	SUSPENSION ref.	ITEM 1	ITEM 3	ITEM 4	ITEM 6	ITEM 7 *
165(6.5")	N100744-121	N100651-001	N100574-001	N100574-002	N100521-024	N100549-004
190(7.5")	N100745-121	N100651-001	N100574-001	N100574-002	N100521-024	N100549-004
203(8.0")	N100746-121	N100651-001	N100574-003	N100574-004	N100521-025	N100549-003
229(9.0")	N100747-121	N100651-001	N100574-003	N100574-004	N100521-025	N100549-003
254(10")	N100748-121	N100651-001	N100574-003	N100574-004	N100521-026	N100549-003
305(12.0")	N100750-121	N100651-002	N100574-005	N100574-006	N100521-026	N100549-003
356(14.0")	N100752-121	N100651-003	N100574-007	N100574-008	N100521-026	N100549-003
381(15.0")	N100753-121	N100651-003	N100574-007	N100574-008	N100521-026	N100549-003
406(16.0")	N100754-121	N100651-005	N100574-009	N100574-010	N100521-026	N100549-003
432(17.0")	N100755-121	N100651-005	N100574-009	N100574-010	N100521-026	N100549-003
457(18.0")	N100756-121	N100651-006	N100574-011	N100574-012	N100521-026	N100549-003
483(19.0")	N100757-121	N100651-006	N100574-011	N100574-012	N100521-026	N100549-003

* N100549-003/004 = RFS
**MODEL NUMBER REFER TO KI ORDER FORM KPS-001-1020