



Part No.  
NI00526-001

**FUWA K-Hitch Australia Pty Ltd**

[www.khitch.com.au](http://www.khitch.com.au)

[+61 \(03\) 9369-0000](tel:+61(03)9369-0000)

# SPARE PARTS VIEW

**Bulletin ID :** FKH-SPV-0053

**Issued Date :** 4<sup>th</sup> March 2026

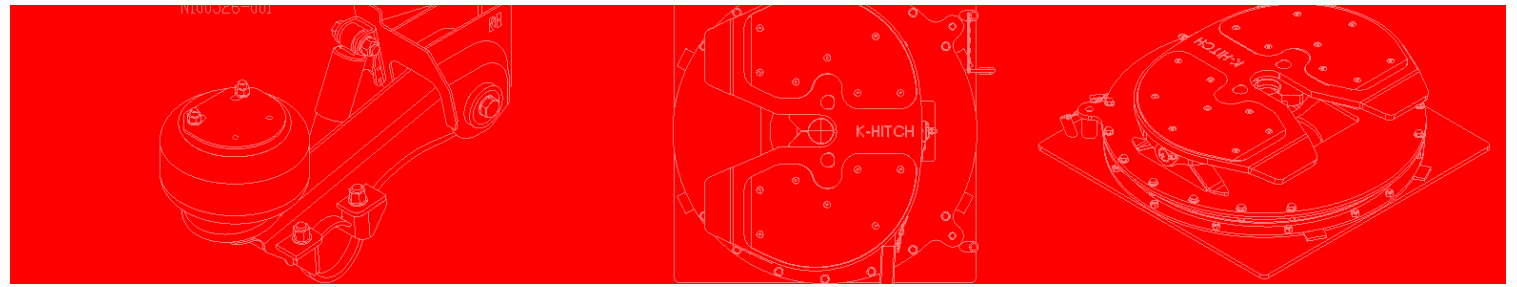
**Revision :** Rev A

**Reference Documents :** KPS-001-0718 Rev 3  
KPS-004-0513 Rev16  
KIS252T-FC

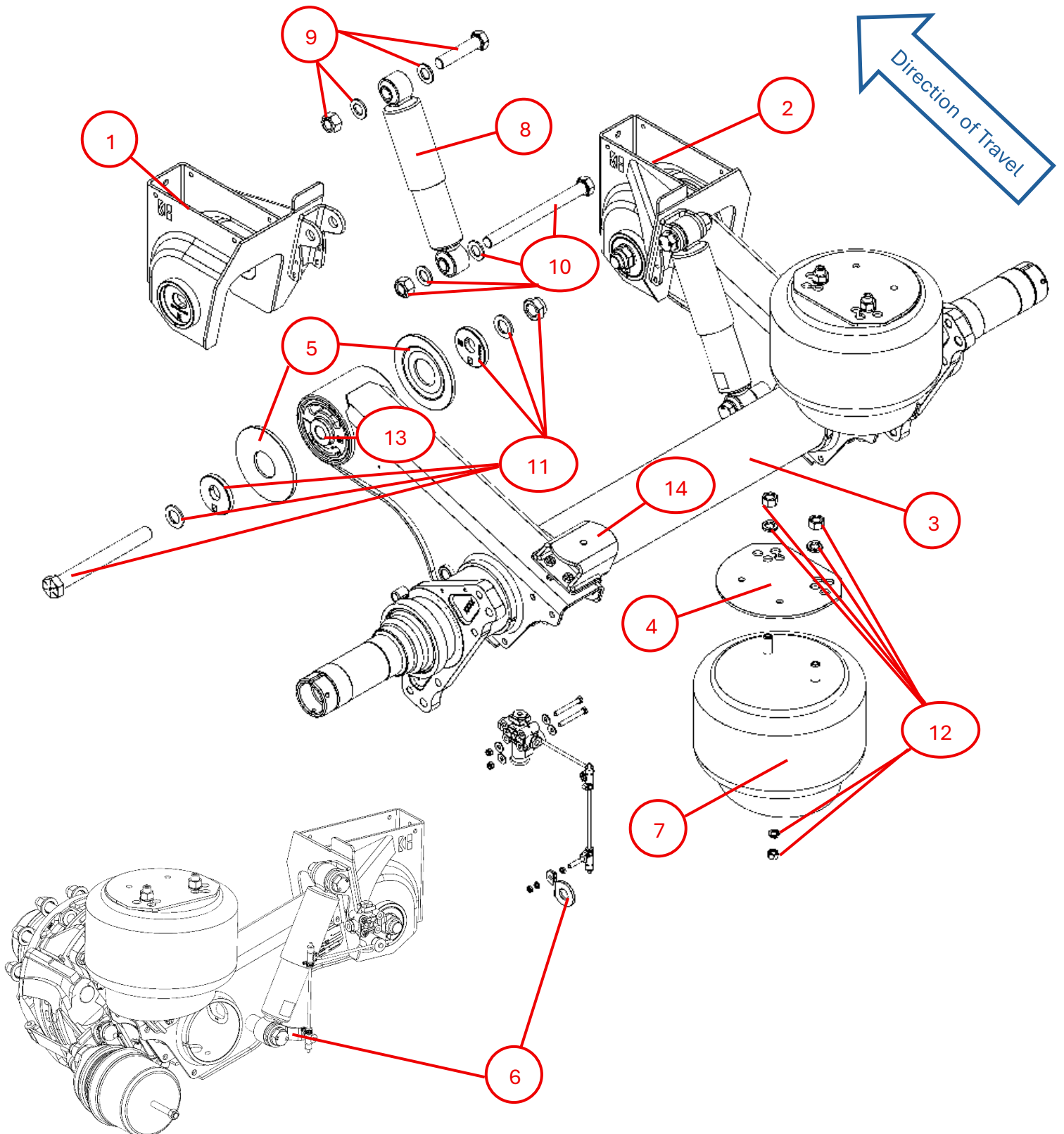
---

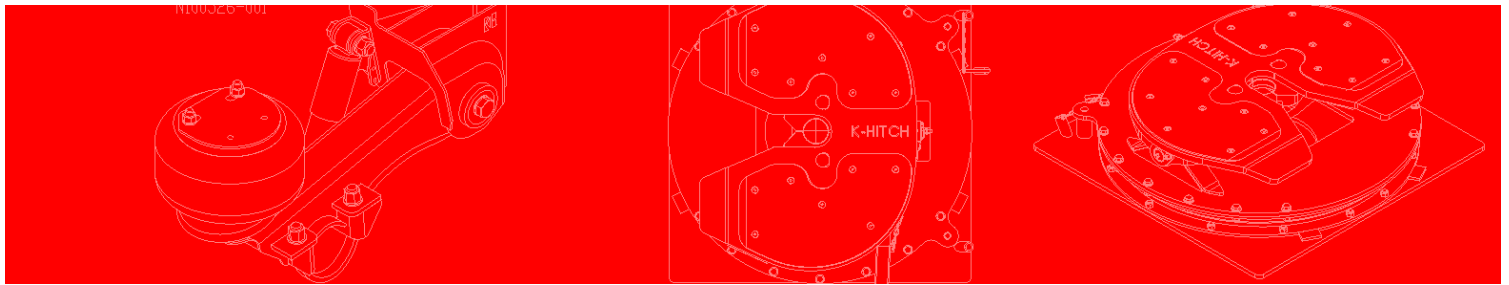
## KI25K OVERSLUNG DISC BRAKE - AUSTRALIA



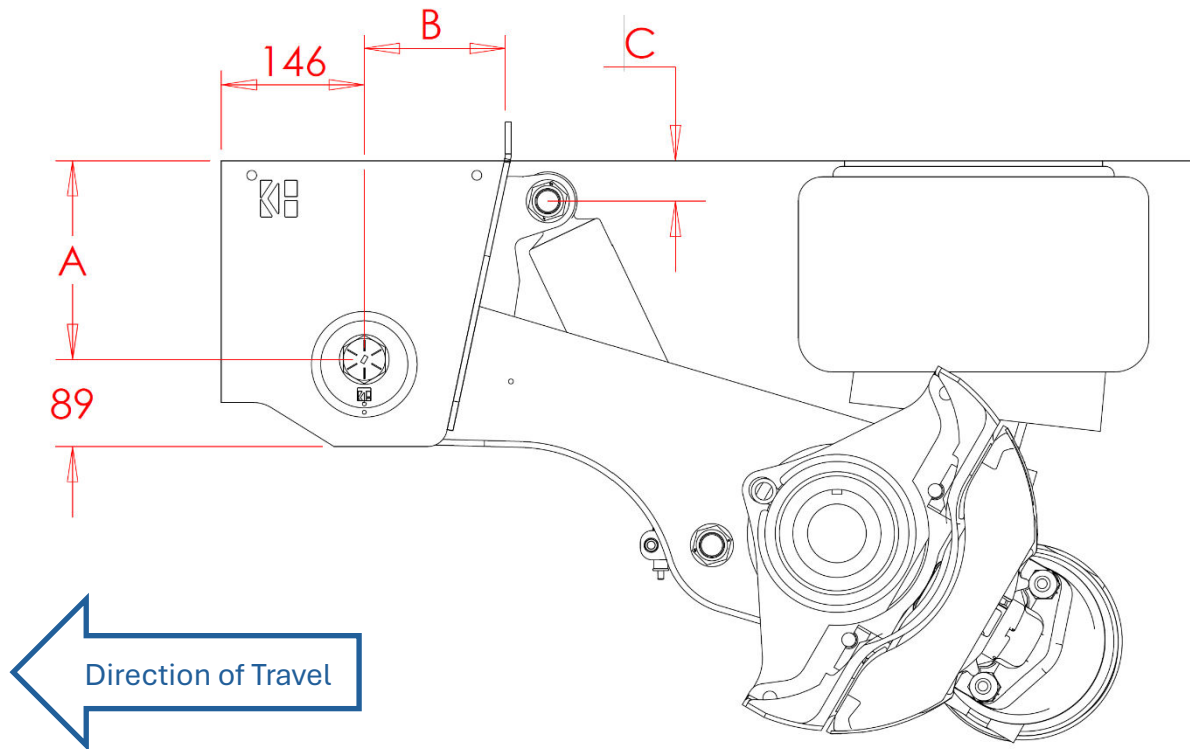


# KI Overslung, Disc Brake

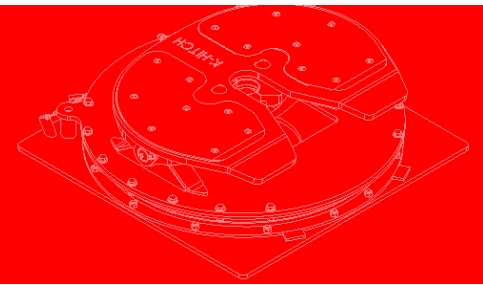
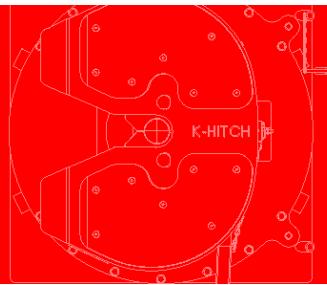
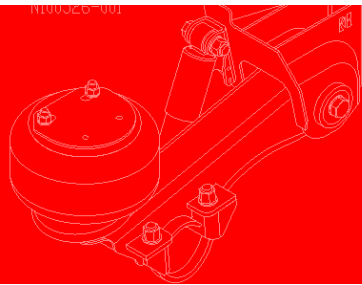




## KI Hanger Selector

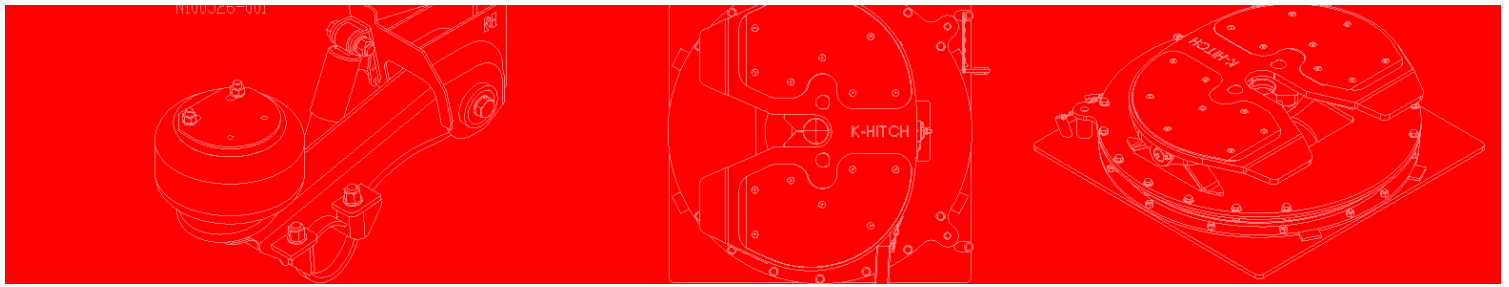


Part ID	Orientation	Description	Part Number	Ride Height	Dimension "A" mm	Dimension "B" mm	Dimension "C" mm
1	LHS	Standard	N100501-003	380	203	144	41.5
		Standard	N100501-019	430	254	155	89
		Height Control	N100501-005	380	254	155	75
		Height Control	N100501-021	430	305	166	127.5
2	RHS	Standard	N100501-004	380	203	144	41.5
		Standard	N100501-020	430	254	155	89
		Height Control	N100501-006	380	254	155	75
		Height Control	N100501-022	430	305	166	127.5

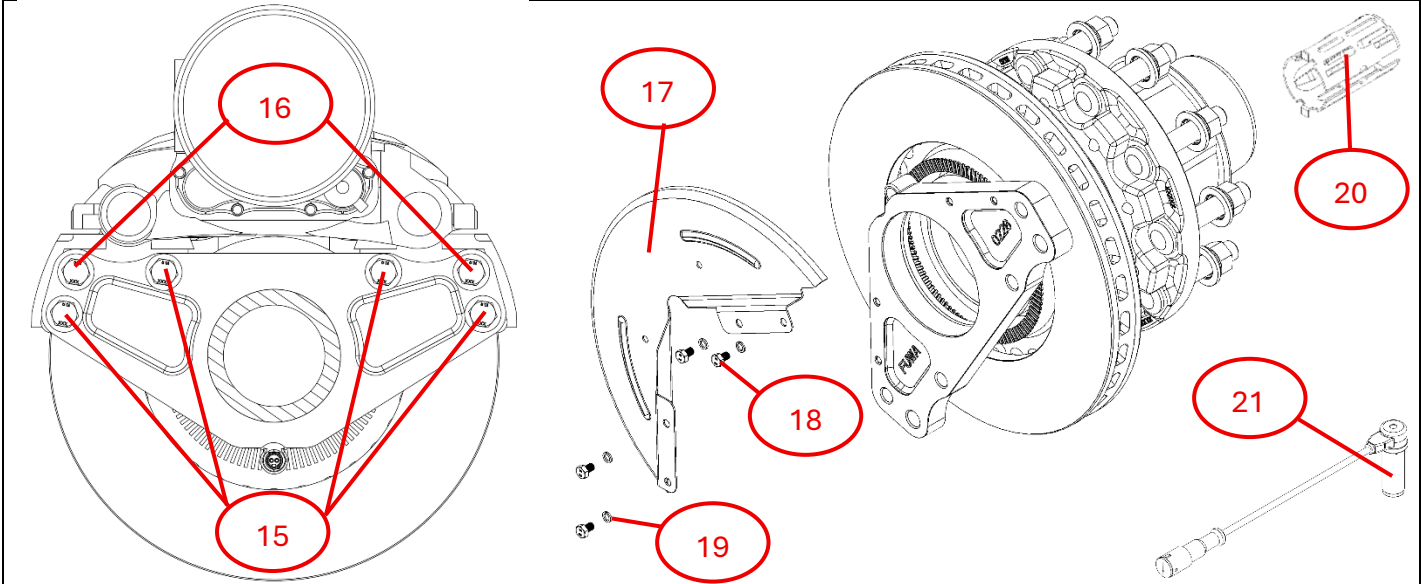


## KI Suspension Spare Parts

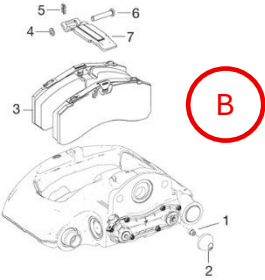
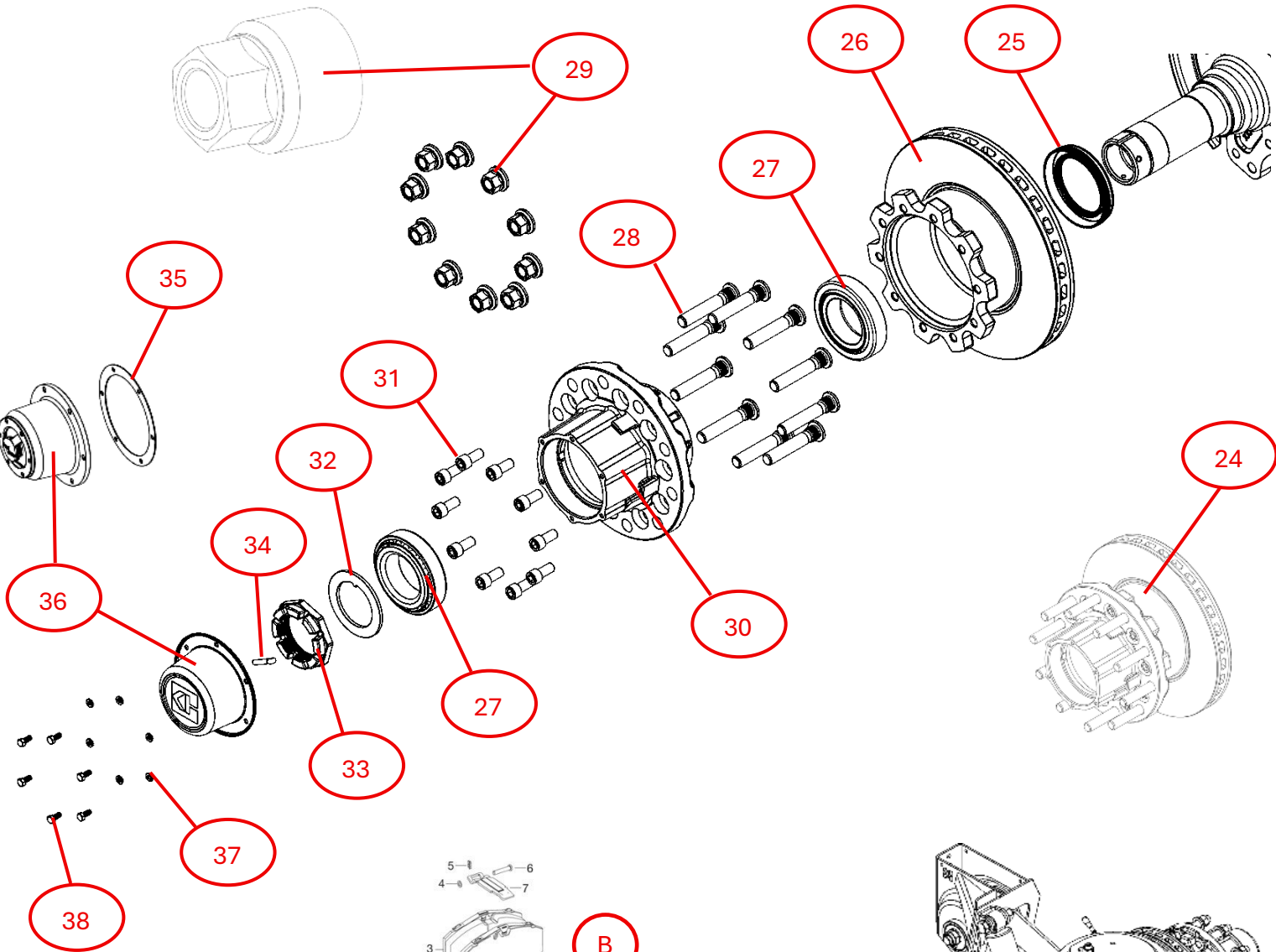
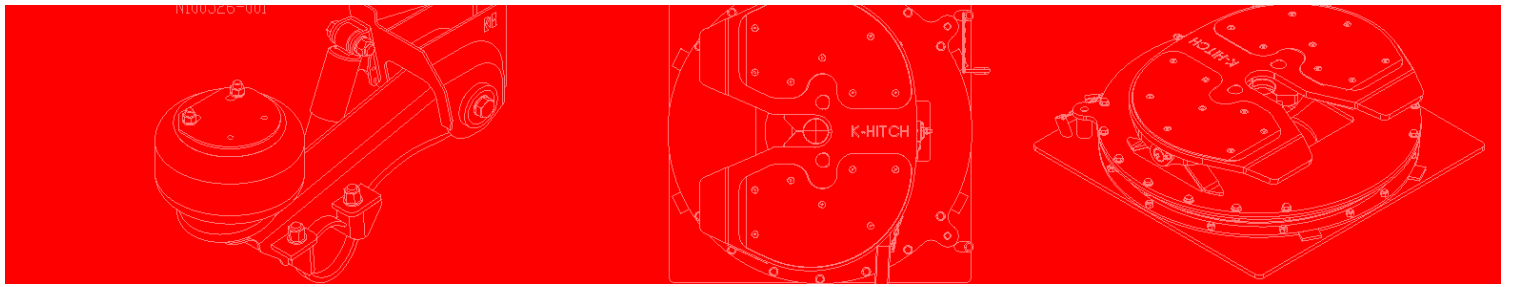
Part ID	Part Number	Description	Quantity Per Module	Kit Number
3	KIS252TFX730S 2CXR	Axle beam Ø146 mm by 10 mm, parallel spindle, WABCO Pan 19 or Knorr-Bremse SN6, integrated trailing arm	1	N/A
	KIS252TFX730S 2MXR	Axle beam Ø146 mm by 10 mm, parallel spindle, WABCO Pan 22 or Knorr-Bremse SC7, integrated trailing arm	1	N/A
4	N100516-012	Upper Airbag Mounting Plate 380 mm Ride Height	2	N/A
	N100517-031	Upper Airbag Mounting Plate 430 mm Ride Height	2	N/A
5	N100511-001	Wear Pads, Hanger	4	KTKIT-01 KTKIT-02
6	N100515-004	Bracket – Height Control Valve Connection	1	N/A
7	N100521-031	Air spring, 358 mm, 11 T	2	N/A
8	N100549-001	Shock Absorber, Road Friendly	2	N/A
9	N100518-001	Shock Absorber, Top Bolt Kit	2	N/A
10	N100518-006	Shock Absorber, Bottom Bolt Kit	2	N/A
11	N100519-001	Pivot Bolt Kit	2	KTKIT-02
12	N100547-001	Air Spring Fastener Kit	2	N/A
13	N100508-002	Pivot Bush	2	KTKIT-01 KTKIT-02
14	N100830-021	Air Spring Lower Seat, LHS, (2.0", 356 - 483 RH)	1	N/A
	N100830-022	Air Spring Lower Seat, RHS, (2.0", 356 - 483 RH)	1	N/A



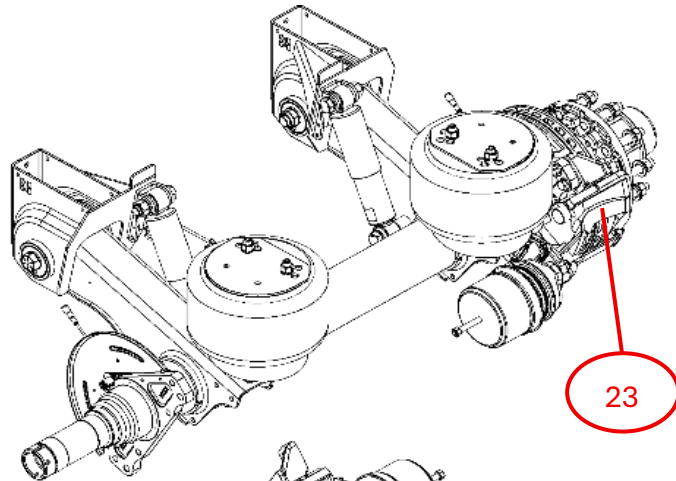
## KI Caliper Mounts and Dust Cover



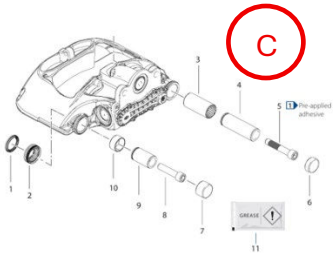
Part ID	Part Number	Description	Quantity Per Module	Kit Number
15	B30-0101	WABCO Pan 19 Brake Caliper	12	N/A
		WABCO Pan 22 Brake Caliper	10	N/A
		Knorr-Bremse SN6 Brake Caliper	12	N/A
		Knorr-Bremse SC7 Brake Caliper	8	N/A
16	B30-0200	WABCO Pan 22 Brake Caliper	2	N/A
		Knorr-Bremse SC7 Brake Caliper	4	N/A
17	TBA	PAN 19, Knorr – Bremse SN6, Dust Cover	2	N/A
	TBA	PAN 22, Knorr – Bremse SC7, Dust Cover	2	N/A
18	G01-02007	Dust Cover Mounting Bolt	8	N/A
19	G03-07001	Dust Cover Mounting Spring Washer	8	N/A
20	A16-0101	ABS Sensor, Clamping Bush	2	N/A
21	A15-0101	ABS Sensor, 90°	2	N/A



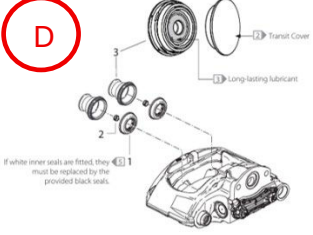
PAD SET (1 AXLE): Knorr-Bremse



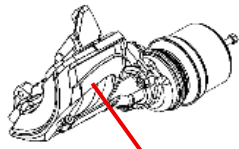
23



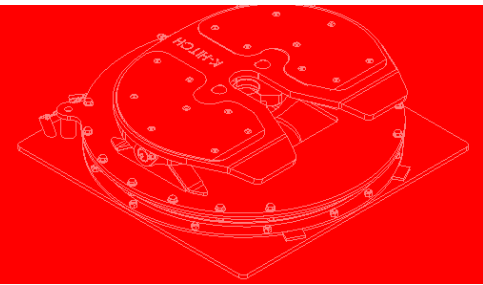
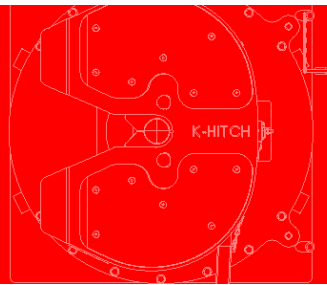
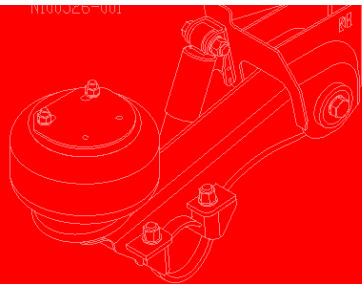
SEAL KIT (1 CALIPER): Knorr-Bremse



TAPPET KIT: Knorr-Bremse

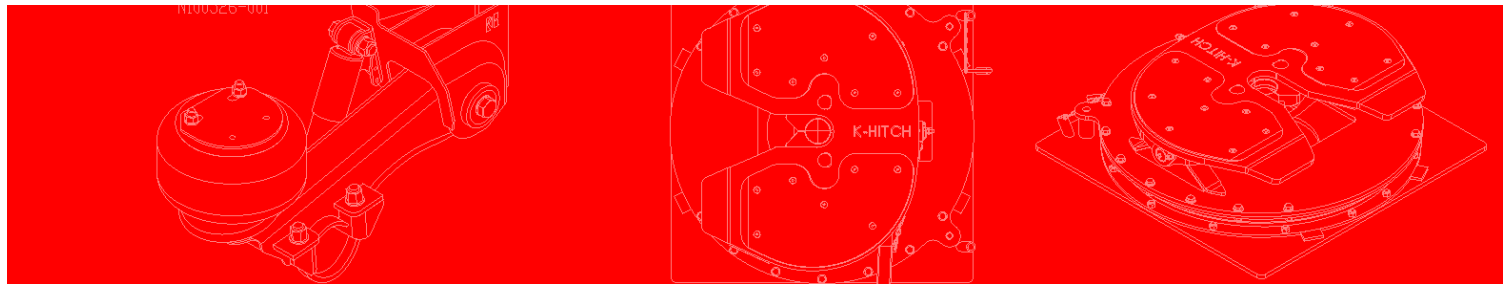


22

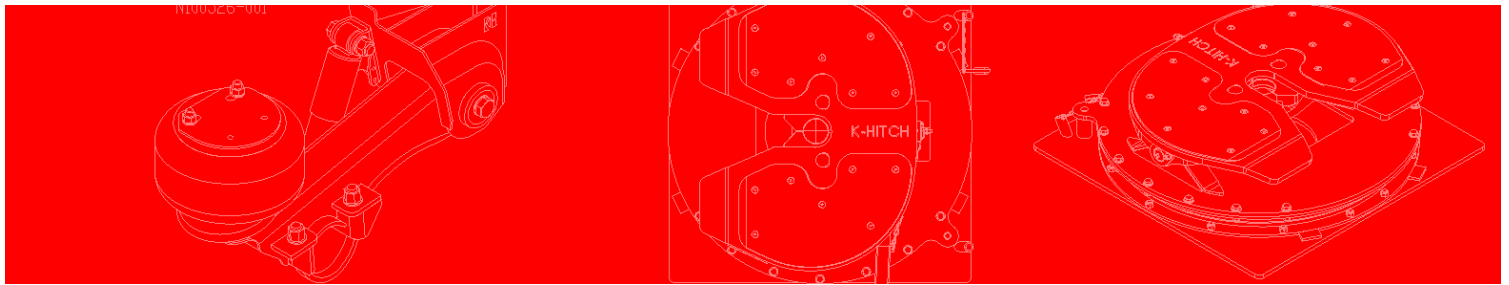


## KI Hub and Brake Spare Parts

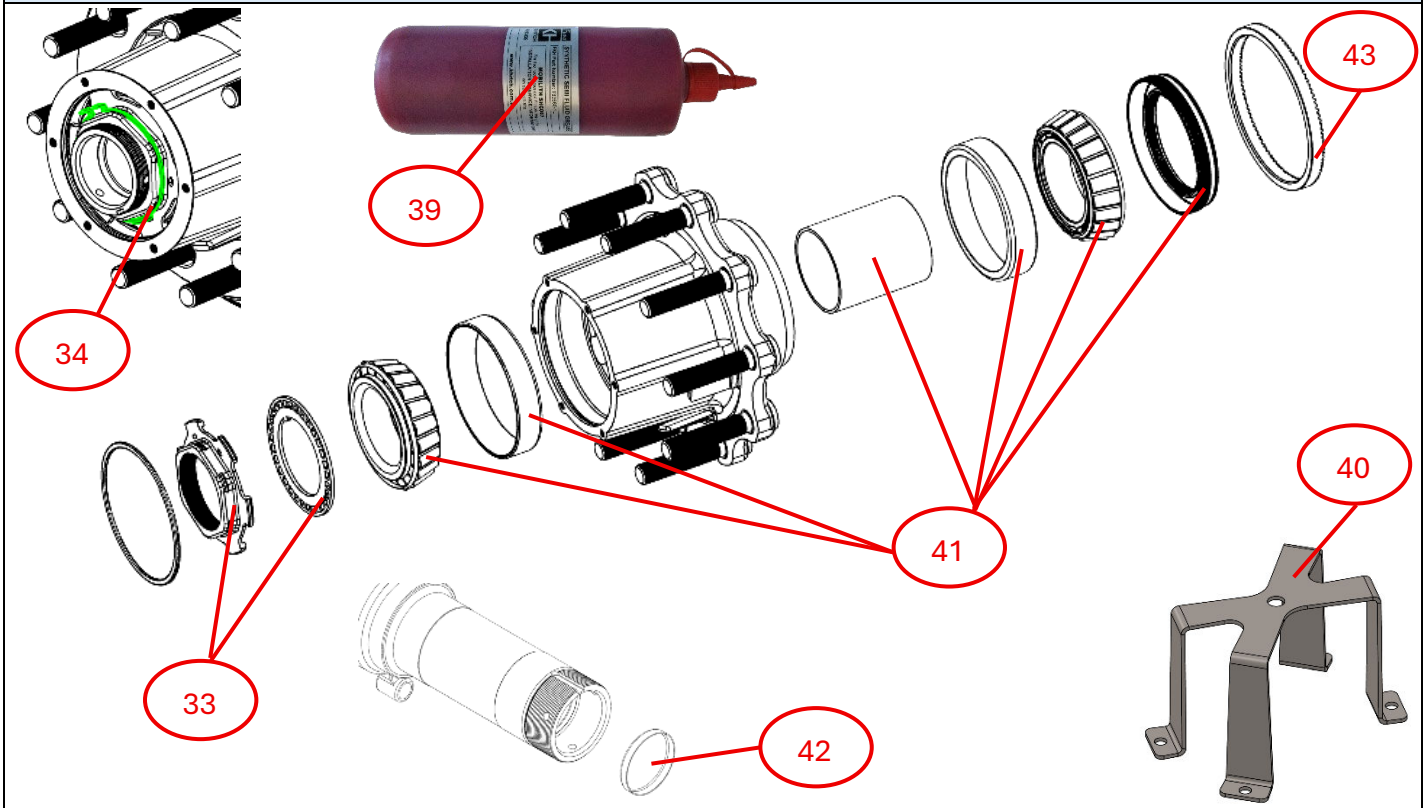
Part ID	Part Number	Description	Quantity Per Module	Kit Number
22	6401951310	CALIPER – LH – WABCO PAN 19	1	N/A
	K128778K50	CALIPER – LH – Knorr-Bremse SN6	1	
	6402251200	CALIPER – LH – WABCO PAN 22	1	
	K152502K50	CALIPER – LH – Knorr-Bremse SC7	1	
23	6401951320	CALIPER – RH – WABCO PAN 19	1	N/A
	K128779K50	CALIPER – RH – Knorr-Bremse SN6	1	
	6402251210	CALIPER – RH – WABCO PAN 22	1	
	K152503K50	CALIPER – RH – Knorr-Bremse SC7	1	
B	12999737	PAD SET – WABCO PAN 19	1	N/A
	K128779K50	PAD SET – Knorr-Bremse SN6	1	
	12999796	PAD SET – WABCO PAN 22	1	
	K283636K50	PAD SET – Knorr-Bremse SC7	1	
C	6402259212	CALIPER SEAL & PIN KIT – WABCO PAN 19	2	N/A
	K113545K50	CALIPER SEAL & PIN KIT – Knorr-Bremse SN6	2	
	6402259212	CALIPER SEAL & PIN KIT – WABCO PAN 22	2	
	K152500K50	CALIPER SEAL & PIN KIT – Knorr-Bremse SC7	2	
D	K201731K50	Knorr-Bremse Tappet Kit, SN6 & SC7	2	N/A
24	Not Available	Hub and Rotor Assembly, 10x285, PAN 19/SN6	2	N/A
	Not Available	ConMET Alloy Hub and Rotor Assembly, 10x285, PAN19 / SN6 (Ø375)	2	
	H30-D202	Hub and Rotor Assembly, 10x285, PAN 22/SC7	2	
	10085157	ConMET Alloy Hub and Rotor Assembly, 10x285, PAN22 / SC7 (Ø430)	2	
25	801	Hub inner seal	2	10081731
26	H32-D102	Brake Rotor, FUWA Hub, PAN 19/SN6 (Ø375)	2	N/A
	Not Available	Brake Rotor, ConMET Hub, PAN 19/SN6 (Ø375)	2	
	H32-D002	Brake Rotor, FUWA Hub, PAN 22/SC7 (Ø430)	2	
	10082074	Brake Rotor, ConMET Hub, PAN 22/SC7 (Ø430)	2	



27	H12-0100	Wheel Bearings, inner and outer, FUWA Hub {ConMET hub refer to page 9}	4	N/A
28	KH800104	Wheel Stud, FUWA Hub, M22x1.5 by 94 (Short)	20	N/A
	KH800239	Wheel Stud, FUWA Hub, M22x1.5 by 122 (Long)	20	
	102292	Wheel Stud, ConMET Hub, M22x1.5 by 136	20	
29	KH800096	Wheel Nut, M22x1.5, A/F 32 (Standards Fit)	20	N/A
	KH800238	Wheel Nut, M22x1.5, A/F 33	20	
	H34-0901	Wheel Nut, M22x1.5, Deep, A/F 32 (~ 50 mm)	20	
30	H31-D201	Hub ASM, FUWA, 10x285, TP, PAN 22/SC7	2	N/A
	FW431	Hub ASM, FUWA, 10x285, TP, PAN 19/SN6	2	
	Not Available	Hub ASM, ConMET	2	
31	KHDB015	BOLT HUB-ROTOR M12x1.75 (PAN 19 / SN6)	20	N/A
	KHDB014	BOLT HUB-ROTOR M16x2.0 (PAN 22 / SC7)	20	
32	A11-0101	Washer - Bearing	2	N/A
33	A12-0101	Spindle - Nut	2	N/A
	Not Available	ConMET PLUS, Specialised {See Page 9}	2	
34	A13-0101	Cotter Pin	2	N/A
	Not Available	ConMET PLUS, Specialised {See Page 9}	2	
35	KH3303118	Hub Cap, Gasket, FUWA Hub	2	N/A
	10033396	Hub Cap, Gasket, ConMET Hub	2	
36	H14-0301	Hub Cap, FUWA Hub	2	N/A
	10085634	Hub Cap, ConMET Hub	2	
37	KH800055	Hub Cap, Washer, FUWA Steel Hubcap	12	N/A
38	KH800122	Hub Cap, Bolt, FUWA, 5/16 UNC	12	N/A
	10086933	Hub Cap, Bolt, ConMET, 5/16 UNC, Flange Head {Not Washer Under Fastener}	12	



## KI ConMET Plus Hub



Part ID	Part Number	Description	Quantity Per Module	Kit Number
39	133680-1L	One Liter of Synthetic Semi-Fluid grease	4	N/A
40	N300202-005	Hubometer Bracket, ConMET Parallel Spindle	1	N/A
41	10081731	ConMet Hub Rebuild Kit, Parallel bearing	2	N/A
42	B16-0201	Axle Tube Expansion Plug, TP	2	N/A
43	Contact your nearest distributor	Tone Wheel, Check diameter and number of Teeth	2	N/A