

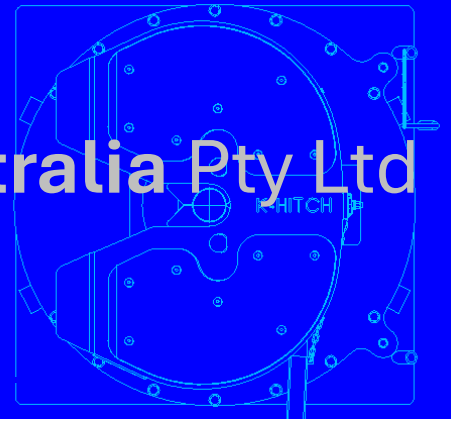


Part No.
NI00526-001

FUWA K-Hitch Australia Pty Ltd

www.khitch.com.au

+61 (03) 9369-0000



SALES PRODUCT BULLETIN

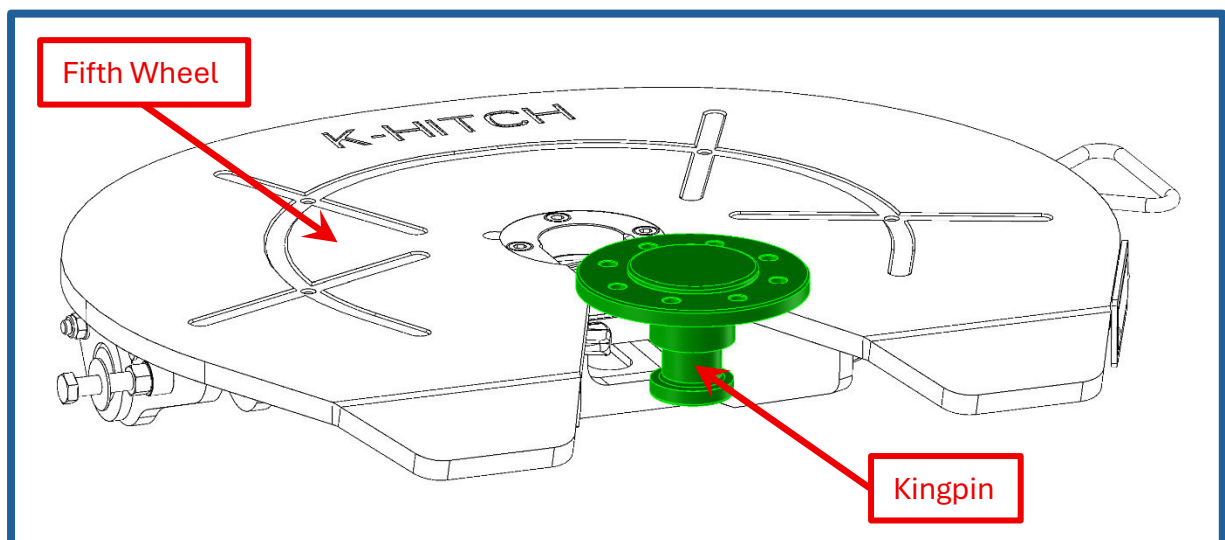
Bulletin ID : FKH-SPB-0108

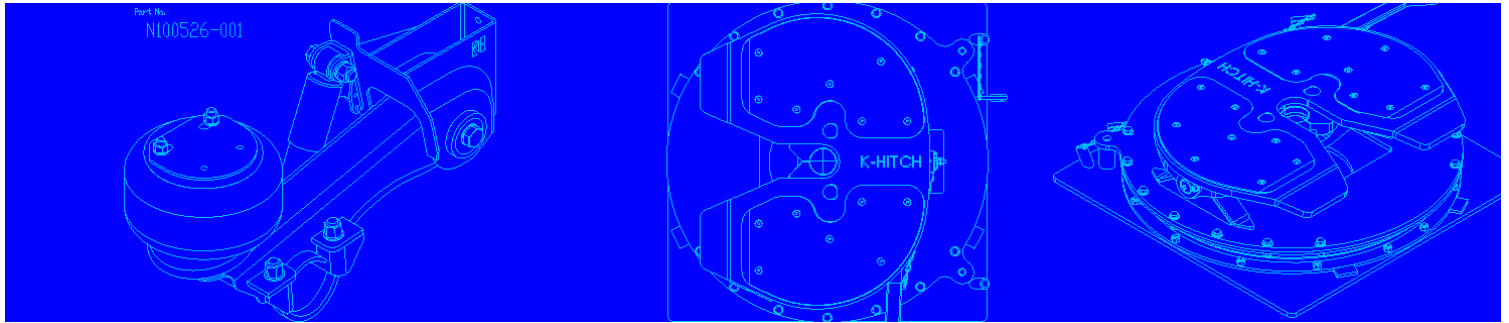
Issued Date : 5th May 2026

Revision : Rev A

Reference Documents : KPS-001-0516
KPS-001-0421

KINGPIN SPECIFICATION SHEET





SYNOPSIS

FUWA K-Hitch kingpins are manufactured from high quality forged steel, induction hardened and comply to the international Total Quality Management (TQM) systems IATF 16949 and ISO 9001.

Offering both 50 mm and 90 mm size kingpins with a bolt-in design (see Figure 1 below), complying to Australia regulations and offering a range of “D” Ratings to suit a wide variety of operating conditions and combinations.

The FUWA K Hitch range of H/D King Pins have an internal grease path to assist with greasing and are suitable for off-road and mining applications.

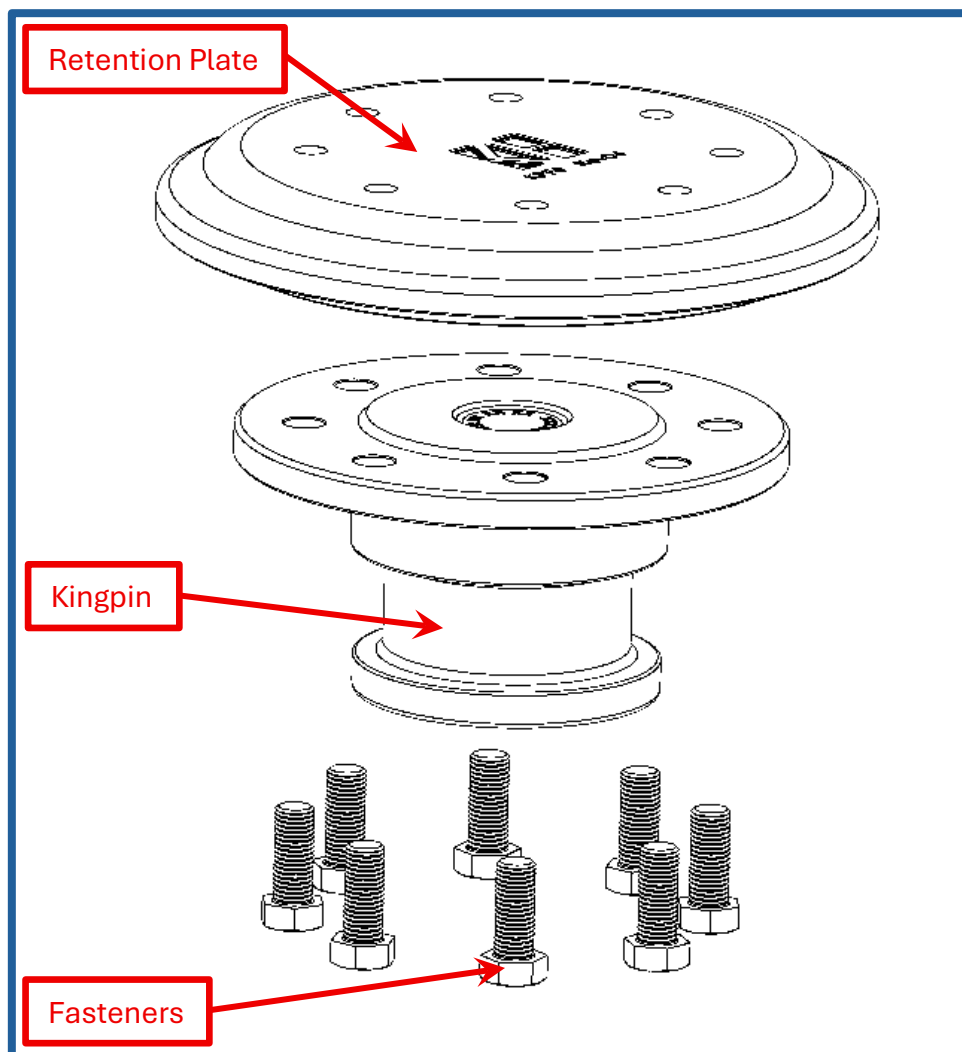


Figure 1: Bolt-In Kingpin Design

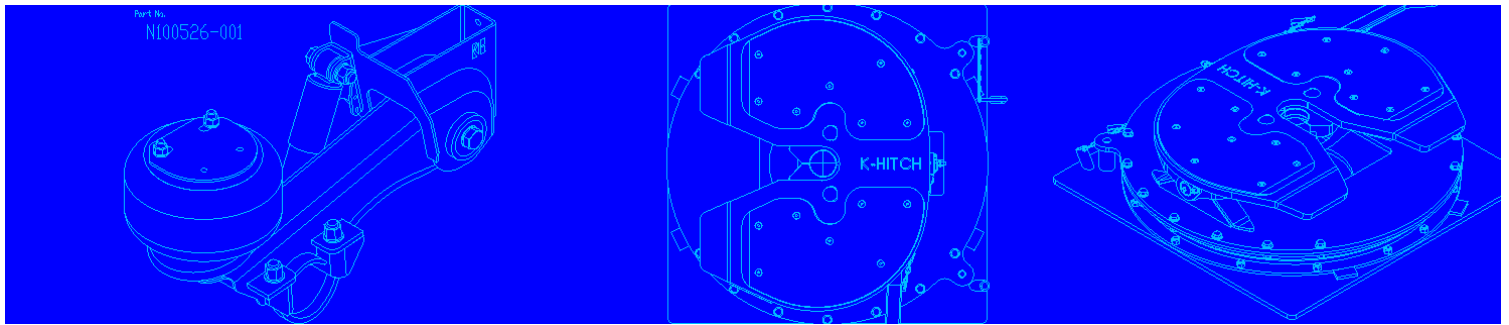


Table 1 below is an overview of the bolt-in kingpins and kits offered by FUWA K-Hitch. Please refer to the spare parts page of the FUWA K-Hitch website for a complete listing.

Table 1: FUWA K-Hitch Kingpin Options

Description	Part Number	CTA	D Rating (kN)	Fasteners	Skid Plate Thickness (mm)
50 mm (2") Kingpin	TBA	TBA	TBA	N/A	N/A
50 mm (2") Kingpin Assemblies	TBA	TBA	TBA	8x M14F	TBA
90 mm (3") Kingpin	KBP90F	062258	240	N/A	N/A
90 mm (3") Kingpin Assemblies	KPBA90F/08	062258	240	8x M14	8
	KPBA90F/10	062258	240	8x M14	10
	KPBA90F/12	062258	240	8x M14	12
	KPBA90F/16	062258	240	8x M14	16
	KPBA90F/20	062258	240	8x M14	20
90 mm (3") Heavy Duty Kingpin	KPB90FHD	N/A	300	N/A	N/A
90 mm (3") Heavy Duty Kingpin Assembly	KPBA90FHD	N/A	300	8x M20	16
90 mm (3") Extra Heavy Duty Kingpin	N/A	N/A	450	N/A	N/A
90 mm (3") Extra Heavy Duty Kingpin Assembly	KPBA90FHD3	N/A	450	10x M24	20

NOTE: Kingpins are supplied with just the king pin. Assemblies are supplied with the kingpin, retaining plate and required fasteners. *(The spare parts page list kits consisting of the kingpin and required fasteners supplied together)*

