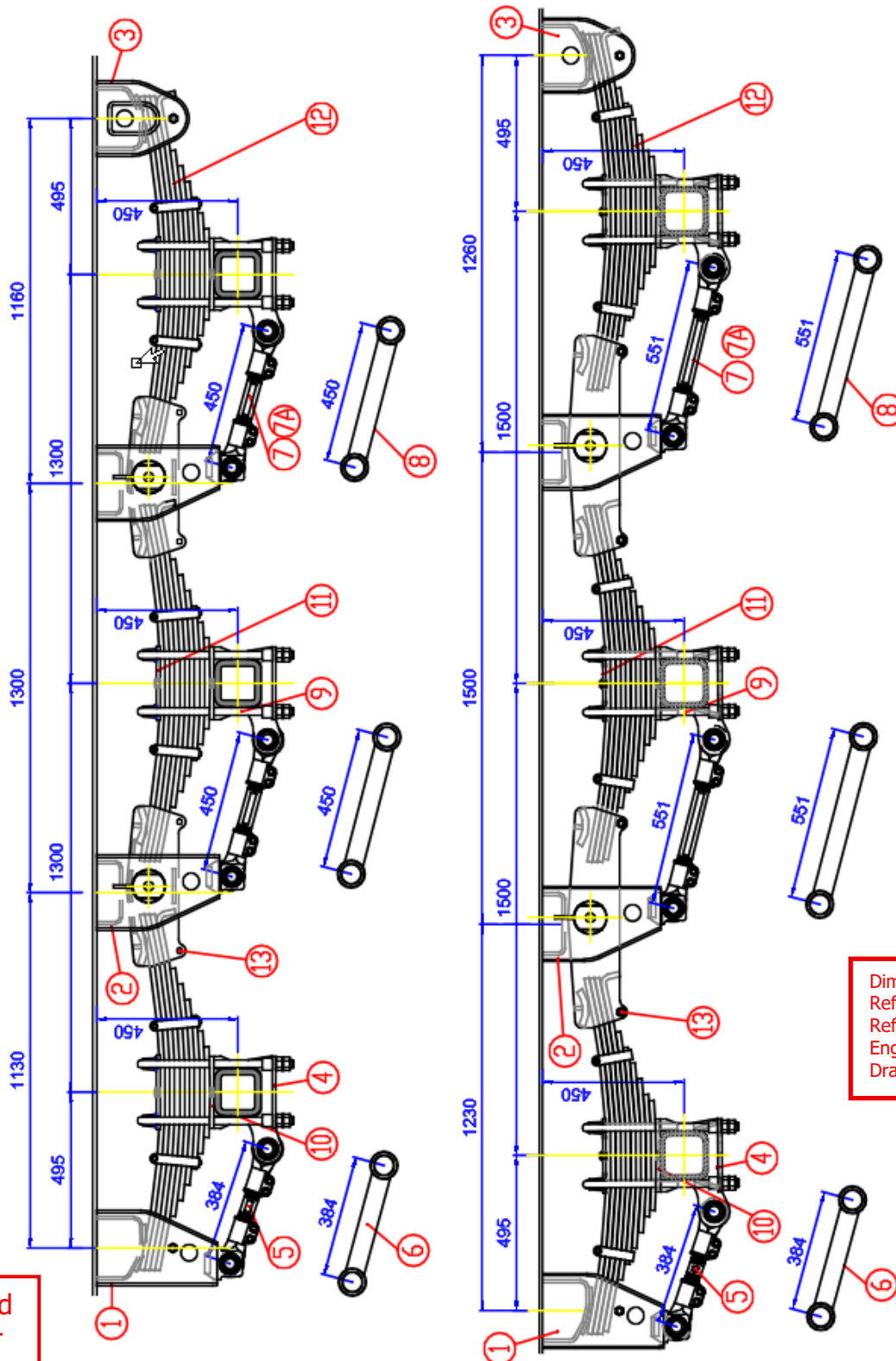


PARTS VIEW

MECH. SUSPENSION - FW20B – 20T



Dimensions for Reference Only. Refer to FUWA K-Hitch Engineering for Latest Drawing.

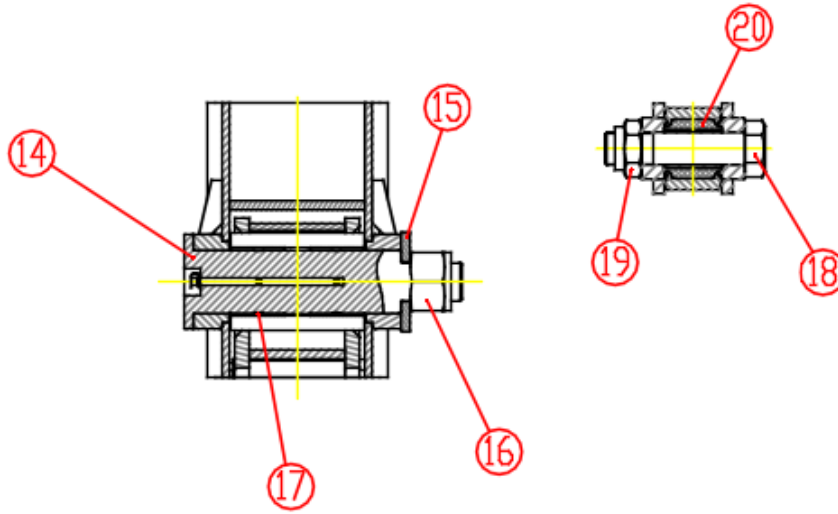
Fasteners and Bushes, refer to page 3



PARTS VIEW

| Ref No. | PART No. | DESCRIPTION | CONFIGURATION | | | |
|---------|---------------------|--|---------------|-------------|----------|-----------|
| | | | Single Axle | Tandem Axle | Tri Axle | Quad Axle |
| 1 | FW20-0100/425 | FRONT HANGER | 2 | 2 | 2 | 2 |
| 2 | FW20-0200/431L | EQUALISER HANGER, Left Hand Side | - | 1 | 2 | 3 |
| | FW20-0200/431R | EQUALISER HANGER, Right Hand Side | - | 1 | 2 | 3 |
| | FW20/1310-0400/80 | ROCKER, 1,300 mm Axle Centres | - | 2 | 4 | 6 |
| | FW20/1500-0400/80 | ROCKER, 1,500 mm Axle Centres | - | 2 | 4 | 6 |
| 3 | FW20-0300/245 | REAR HANGER | 2 | 2 | 2 | 2 |
| 4 | FW20-0506 | AXLE SEAT | 2 | 4 | 6 | 8 |
| 5 | FS16-0503/325 | ADJUSTABLE RADIUS ROD FRONT | 1 | 1 | 1 | 1 |
| 6 | FS16-0517/385 | FIXED RADIUS ROD FRONT | 1 | 1 | 1 | 1 |
| 7 | FS16-0503/415 | RADIUS ROD, 1,300 mm Axle Centres | - | 1 | 2 | 3 |
| | FW86-605/550 | RADIUS ROD, 1,500 mm Axle Centres | - | 1 | 2 | 3 |
| 7A | FS16-0501L | ADJ ROD END L/H | - | 2 | 3 | 4 |
| | FS16-0501R | ADJ ROD END R/H | - | 2 | 3 | 4 |
| | FS16-0503/250 | RADIUS ROD, 1,300 mm Axle Centres | - | 1 | 2 | 3 |
| | FS14-060/425 | RADIUS ROD, 1,500 mm Axle Centres | - | 1 | 2 | 3 |
| | KHB14/60 | CLAMP BOLT M14x60 | - | 4 | 8 | 12 |
| | KHBN14 | CLAMP BOLT NUT | - | 4 | 8 | 12 |
| 8 | FS16-0517/455 | FIXED RADIUS ROD ASSEMBLY, 1,300 mm Axle Centres | - | 1 | 2 | 3 |
| | FS16-051/550 | FIXED RADIUS ROD ASSEMBLY, 1,500 mm Axle Centres | - | 1 | 2 | 3 |
| 9 | FW98-0609/485 | U-BOLT ASSEMBLY, with dual nuts | 4 | 8 | 12 | 16 |
| 10 | FW98-0504 | SPRING SEAT (<i>top</i>) | 2 | 4 | 6 | 8 |
| 11 | FW98-0509 | SPRING CLAMP PLATE | 2 | 4 | 6 | 8 |
| 12 | KFJZP40.6.9 | LEAF SPRING, 100x16, 10 leaves | 2 | 4 | 6 | 8 |
| 13 | GB/T5780-86 M16x150 | LEAF RETAINING BOLT, Front Hanger and Rear Hanger | 4 | 4 | 4 | 4 |
| | KHB16X160 | LEAF RETAINING BOLT, Rocker | - | 4 | 8 | 12 |
| | FW98-0515 | LEAF RETAINING SPACER/TUBE, Both Hanger and Rocker | 4 | 8 | 12 | 16 |
| | KHBN16 | LEAF RETAINER, NUT | 4 | 8 | 12 | 16 |
| | KHBS16 | LEAF RETAINER, WASHER | 4 | 8 | 12 | 16 |

PARTS VIEW



| Ref No. | PART No. | DESCRIPTION | CONFIGURATION | | | |
|---------|------------------------|-----------------------|---------------|-------------|----------|-----------|
| | | | Single Axle | Tandem Axle | Tri Axle | Quad Axle |
| 14 | FW20-0512KH (E04-0034) | ROCKER PIN, M42x3 | - | 2 | 4 | 6 |
| 15 | FW86-0511 | ROCKER PIN WASHER | - | 2 | 4 | 6 |
| 16 | LM42/3 | ROCKER PIN NUT, M42x3 | - | 2 | 4 | 6 |
| 17 | FW86-0510/80KH | ROCKER BUSH | - | 2 | 4 | 6 |
| 18 | FS16-0518/155 | RADIUS ROD PIN | 4 | 8 | 12 | 16 |
| 19 | FS16-0521 | RADIUS ROD NUT | 4 | 8 | 12 | 16 |
| 20 | FW86-0514 | RADIUS ROD BUSH | 4 | 8 | 12 | 16 |

