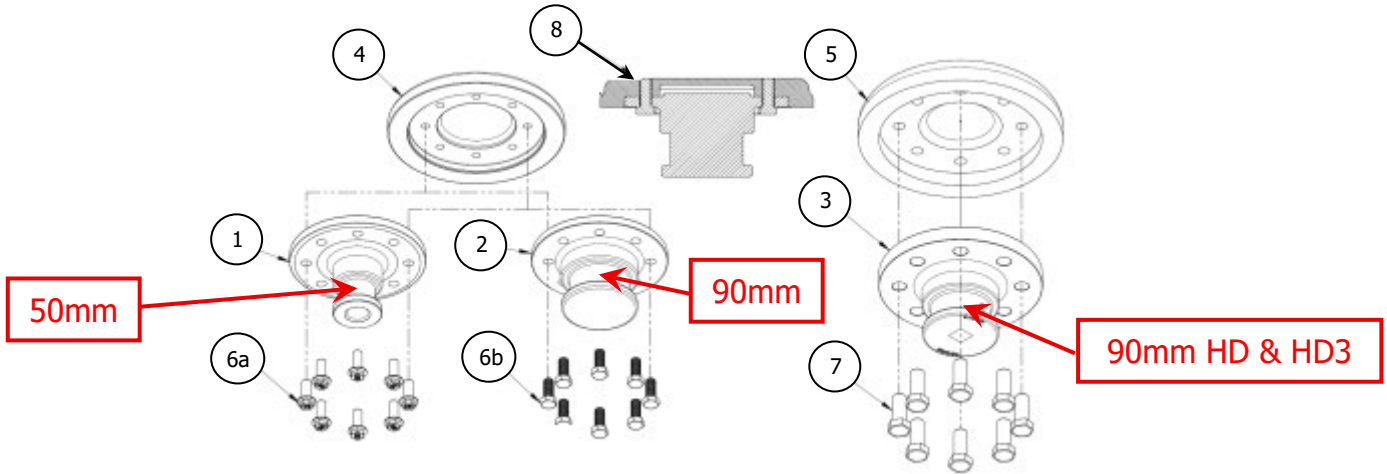


# PARTS VIEW

## Bolt-In KINGPIN & KINGPIN ASSEMBLIES



Ref No.	PART No.	DESCRIPTION	QTY PER UNIT	APPLICATION	
				50mm (2")	90mm (3.5")
1	TBA	King Pin only	1	X	
	TBA	King Pin c/w 8 Bolts	1	X	
2	KPB90F	King Pin only	1		X
	KPB90FK	King Pin c/w 8 Bolts	1		X
3	KPB90FHD	King Pin Heavy Duty only	1		HD Only
	NSS	King Pin Heavy Duty only	1		HD3 Only
4	KPF08	Retention Plate 8mm Skid Plate	1	X	X
	KPF10	Retention Plate 10mm Skid Plate	1	X	X
	KPF12	Retention Plate 12mm Skid Plate	1	X	X
	KPF16	Retention Plate 16mm Skid Plate	1	X	X
	KPF20	Retention Plate 20mm Skid Plate	1	X	X
5	KPF16HD	Retention Plate Heavy Duty 16mm Skid Plate	1		HD Only
	NSS	Retention Plate Heavy Duty 20mm Skid Plate	1		HD3 Only
6b	KPB14/1	Bolt – M14 – 10.9	8		X
6a	KPB14F/1	Flanged Head Bolt – M14 – 10.9	8	X	
NS	KPB14	Bolt Kit – M14 – 10.9	1		X
	KPB14F	Bolt Kit – M14 – 10.9 Flange Head	1	X	
7	KPB20	Bolt – M20 – 10.9	8		HD Only
	NSS	Bolt – M24 – 10.9	10		HD3 Only
8	TBA	50 mm King Pin Assembly 8mm Skid Plate	1	X	
	TBA	50 mm King Pin Assembly 10mm Skid Plate	1	X	
	TBA	50 mm King Pin Assembly 12mm Skid Plate	1	X	
	TBA	50 mm King Pin Assembly 16mm Skid Plate	1	X	
	TBA	50 mm King Pin Assembly 20mm Skid Plate	1	X	
	KPBA90F/08	90 mm King Pin Assembly 8mm Skid Plate	1		X
	KPBA90F/10	90 mm King Pin Assembly 10mm Skid Plate	1		X
	KPBA90F/12	90 mm King Pin Assembly 12mm Skid Plate	1		X
	KPBA90F/16	90 mm King Pin Assembly 16mm Skid Plate	1		X
	KPBA90F/20	90 mm King Pin Assembly 20mm Skid Plate	1		X
	KPBA90FHD	King Pin Heavy Duty Assembly 16mm Skid Plate	1		HD Only
	KPBA90FHD3	King Pin Heavy Duty Assembly 20mm Skid Plate	1		HD3 Only