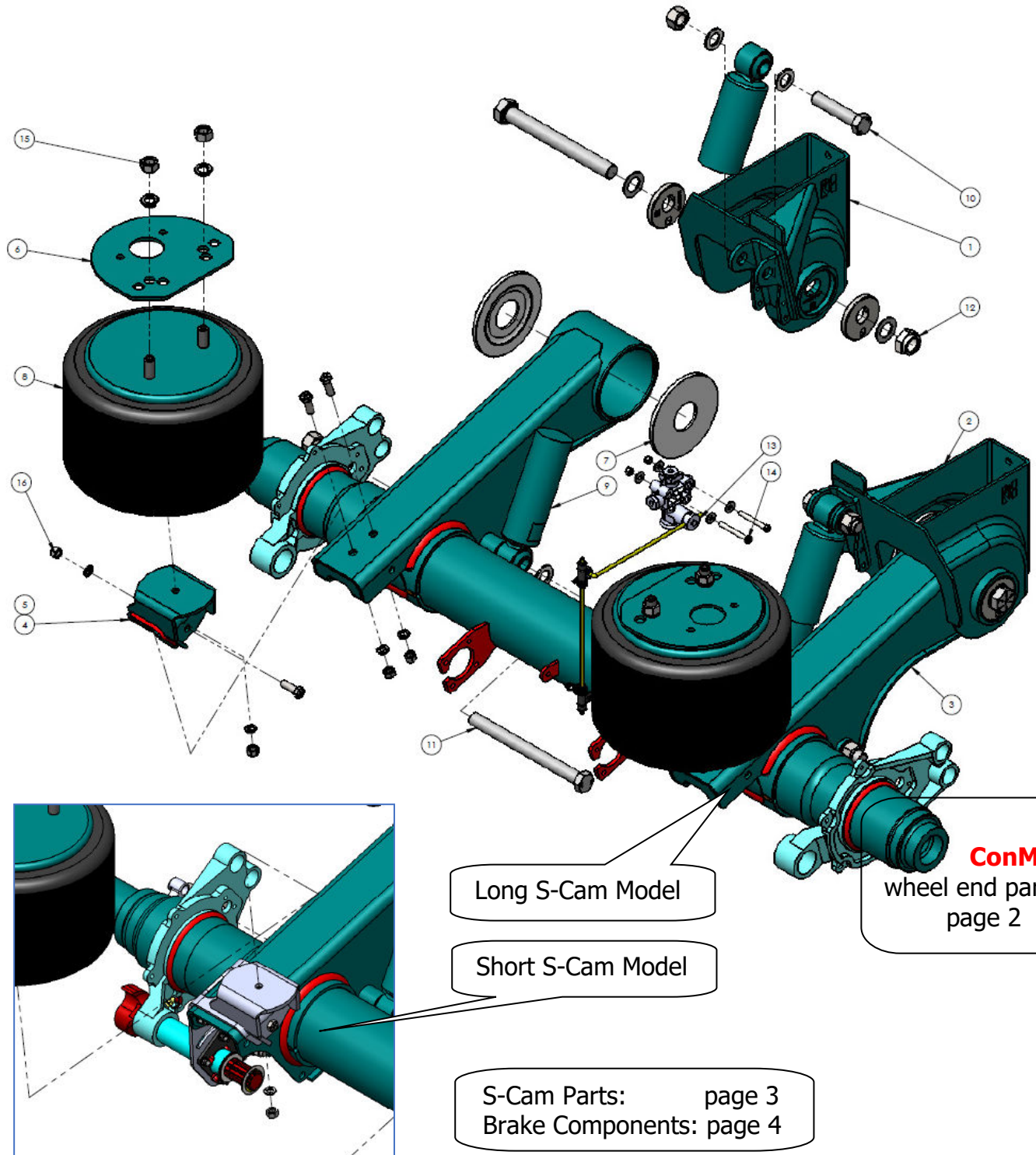


**AXLE & AIR SUSPENSION MODULE KI S252T**

**OVERSLUNG - DRUM BRAKE**



**ConMet**  
 wheel end parts:  
 page 2

Long S-Cam Model

Short S-Cam Model

S-Cam Parts: page 3  
 Brake Components: page 4



# PARTS VIEW

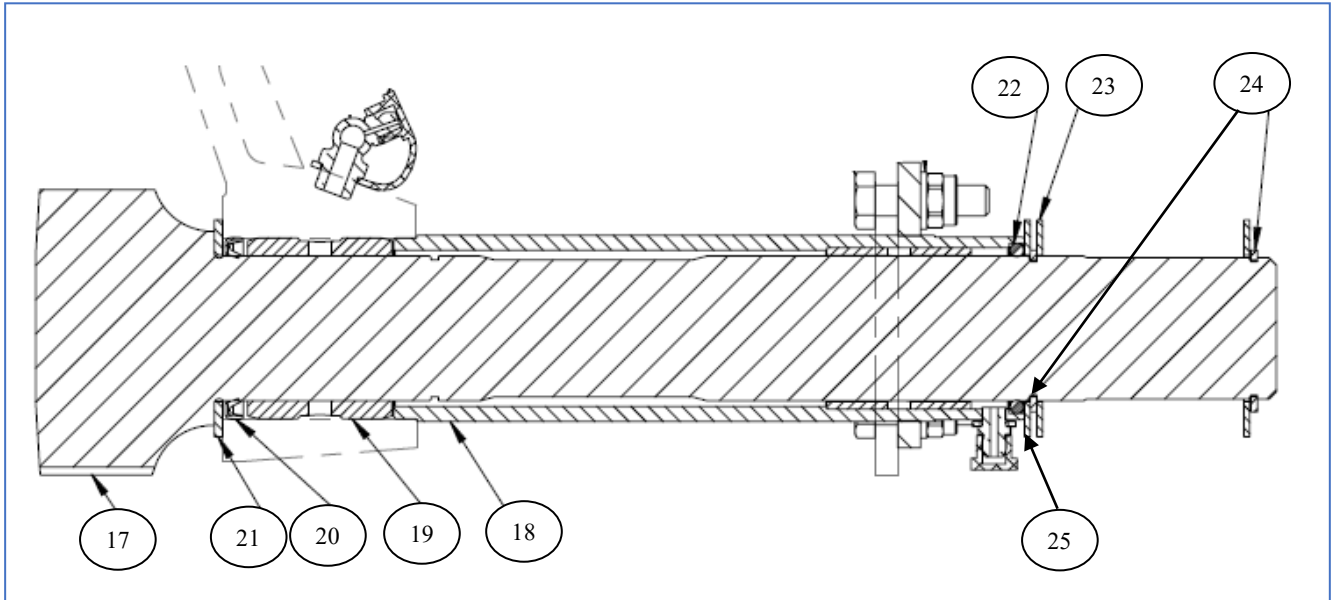
Ref No.	PART No.	DESCRIPTION	APPLICATION	
			QTY PER MODULE	KI S252T
1	SEE HANGER CHART	HANGER LH	1	SEE HANGER CHART
2		HANGER RH	1	
3	N100818-002	BEAM ARM ASSEMBLY	1	X
NS	N100508-002	PIVOT BUSH (wide) – TRAILING ARM	2	X
4	N100830-001	AIRSPRING PISTON SEAT LH	1	X
5	N100830-002	AIRSPRING PISTON SEAT RH	1	X
6	N100516-012	AIRSPRING PLATE UPPER	2	X
7	N100511-001	WEAR PAD	4	X
8	N100521-031**	AIRSPRING	2	X
9	N100549-001	SHOCK ABSORBER RFS	2	X
9	N100550-005	SHOCK ABSORBER NON RFS	(2)	(X)
10	N100518-001	VERTICAL SHOCK ABSORBER HARDWARE PACK (UPPER)	2	X
11	N100518-006	VERTICAL SHOCK ABSORBER HARDWARE PACK (LOWER)	2	X
12	N100519-001	PIVOT BOLT KIT	2	X
13	N100530-001	HEIGHT CONTROL VALVE KIT	1	X
14	N100534-001	HEIGHT CONTROL VALVE MOUNTING KIT	1	X
15	N100547-001	AIRSPRING FASTENER KIT	2	X
16	N100548-001	AIRSPRING SEAT FASTENER KIT	2	X

**\*\*Note:** When replacing an earlier model air spring (N100521-004 “Goodyear 1R14-190”), they must be replaced with the same make and model or replaced as a pair with the current make and model (N100521-031 “Contitech 11 10.5A-16”).

PART No.	DESCRIPTION	APPLICATION		
		QUANTITY PER MODULE	TP ConMet	TP ConMet <b>PLUS</b>
NS	<b>ConMet WHEELEND (pre-set)</b>			
10036731	ALUMINIUM HUB c/w LONG STUDS & BEARINGS & SPACER & SEAL	2	X	
10041701	ALUMINIUM HUB c/w LONG STUDS & BEARINGS & SPACER & SEAL	2		X
10045398	IRON HUB c/w LONG STUDS & BEARINGS & SPACER & SEAL	2		X
10037763	DRUM CAST – Tru Tum	2	X	X
102292	STUD LONG (M22x1.5x136mm)	20	X	X
10036553	NUT KIT	2		X
10018621	HUB CAP	2	X	
10085634	HUB CAP	2		X
10001223	HUB CAP GASKET	2	X	
10005437	BEARING KIT c/w SPACER & SEAL	2	X	
10081731	BEARING KIT c/w SPACER & SEAL	2		X

# PARTS VIEW

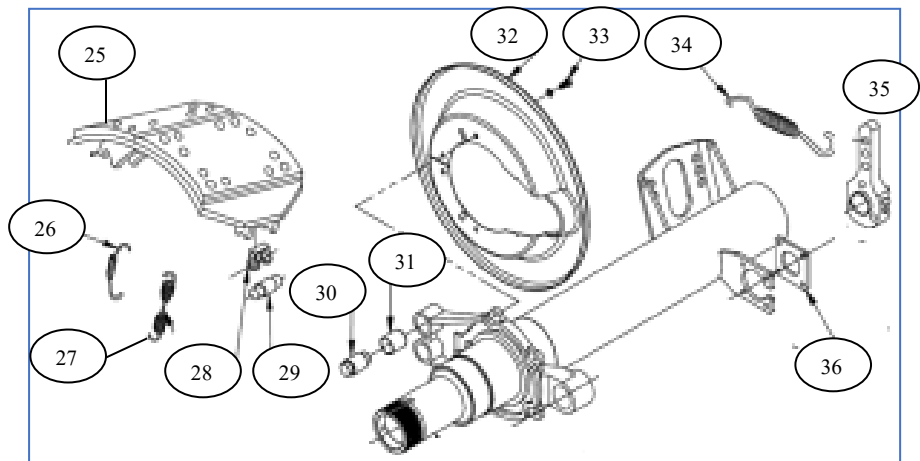
## S-CAM ASSEMBLY



Ref No.	PART No.	DESCRIPTION	QTY PER MODULE	APPLICATION	
				Long Cam	Short Cam
				<b>KI S252T</b>	
17	C11-0201C-627LH	CAMSHAFT-LH (627mm) 10sp	1	X	
17	C11-0201C-627RH	CAMSHAFT-RH (627mm) 10sp	1	X	
17	C11-0200-LH	CAMSHAFT-LH (280mm) 10sp	1		X
17	C11-0200-RH	CAMSHAFT-RH (280mm) 10sp	1		X
18	C30-0201-627	CAMTUBE ASSY	2	X	
18	C30-0201	CAMTUBE ASSY	2		X
19	C13-0201	BUSH	2	X	X
20	C14-0201	SEAL	2	X	X
21	C12-0502	D WASHER	2	X	X
22	C24-0401	O-RING	2	X	X
23	C15-0102	WASHER (1 mm thick)	6	X	X
24	C16-0501	CIRCLIP	4	X	X
25	C15-0202	S Cam Thrust Washer (2 mm thick)	2	X	X
Kit	N100558-001 (LH)	SHORT CAMSHAFT KIT LH (INCL. 17 to 24)	1		X
Kit	N100558-002 (RH)	SHORT CAMSHAFT KIT RH (INCL. 17 to 24)	1		X

# KHITCH BRAKE COMPONENTS

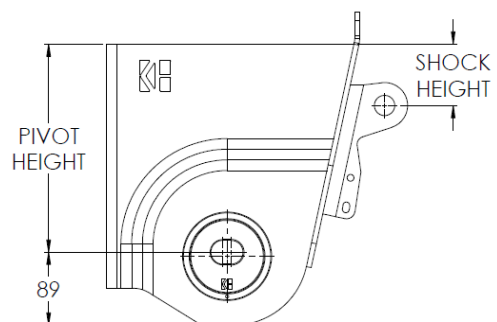
## PARTS VIEW



Ref No.	PART No.	DESCRIPTION	APPLICATION	
			QTY PER MODULE	KI S252T
25	D20-020101	SHOE SET (2)	2	X
26	NSS*	ANCHOR SPRING	2	X
27	NSS*	RETURN SPRING	2	X
28	NSS*	ROLLER RETAINER	4	X
29	NSS*	ROLLER	4	X
30	NSS*	ANCHOR PIN	4	X
31	NSS*	ANCHOR PIN BUSH	4	X
32	H18-0101	DUST COVER	2	X
33	KH800055	SPRING WASHER	12	X
34	A20-0101	RETURN SPRING	2	X
35	278323EF	MANUAL SLACK ADJUSTER	2	X
36	C33-0201	CAMSHAFT MTG PLATE	2	X
NS	D20-020101K	*BRAKE SHOE KIT (1 wheel)	2	X

\*These parts are in the brake shoe kit.

## HANGER CHART



Ref No.	PART No.	ORIENTATION	RIDE HEIGHT in mm	PIVOT HEIGHT in mm	SHOCK HEIGHT in mm	KI S252T
1	N100501-003	LH	380	203	42	X
2	N100501-004	RH	380	203	42	X

NS: Not shown